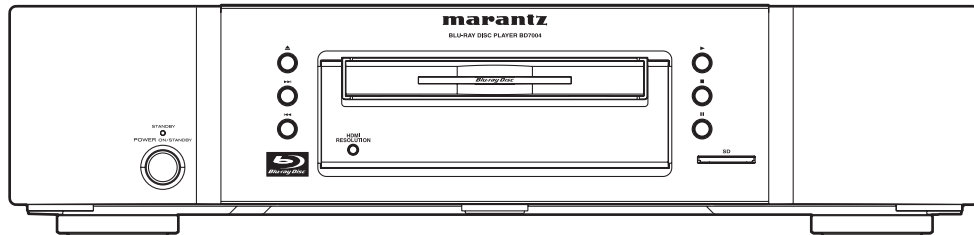


# Service Manual

BD7004 /U1B

BLU-RAY DISC Player



BD7004

## TABLE OF CONTENTS

SECTION	PAGE
1. TECHNICAL SPECIFICATIONS.....	1
2. SERVICE HINTS AND TOOLS .....	4
3. WARNING AND LASER SAFETY INSTRUCTION.....	5
4. LASER BEAM SAFETY PRECAUTIONS .....	6
5. IMPORTANT SAFETY PRECAUTIONS .....	7
6. STANDARD NOTES FOR SERVICING .....	9
7. CABINET DISASSEMBLY INSTRUCTIONS.....	13
8. HOW TO INITIALIZE THE BLU-RAY DISC PLAYER .....	17
9. FIRMWARE RENEWAL MODE .....	18
10. FIRMWARE RENEWAL MODE (Network Update) .....	20
11. SERVICE MODE.....	21
12. TRAY LOCK MODE.....	23
13. TROUBLESHOOTING.....	24
14. BLOCK DIAGRAMS .....	32
15. SCHEMATIC DIAGRAMS / CBA AND TEST POINTS .....	38
16. WAVEFORMS.....	97
17. WIRING DIAGRAM .....	98
18. LEAD IDENTIFICATIONS .....	99
19. EXPLODED VIEW AND PARTS LIST.....	101

Please use this service manual with referring to the user guide (D.F.U.) without fail.  
修理の際は、必ず取扱説明書を準備し操作方法を確認の上作業を行ってください。

# marantz®

## BD7004

Ver. 2

Please refer to the  
MODIFICATION NOTICE.

## MARANTZ DESIGN AND SERVICE

Using superior design and selected high grade components, **MARANTZ** company has created the ultimate in stereo sound. Only original **MARANTZ** parts can insure that your **MARANTZ** product will continue to perform to the specifications for which it is famous.

Parts for your **MARANTZ** equipment are generally available to our National Marantz Subsidiary or Agent.

### ORDERING PARTS :

Parts can be ordered either by mail or by Fax.. In both cases, the correct part number has to be specified.

The following information must be supplied to eliminate delays in processing your order :

1. Complete address
2. Complete part numbers and quantities required
3. Description of parts
4. Model number for which part is required
5. Way of shipment
6. Signature : any order form or Fax. must be signed, otherwise such part order will be considered as null and void.

#### USA

**MARANTZ AMERICA, INC**  
100 CORPORATE DRIVE  
MAHWAH, NEW JERSEY 07430  
USA

#### EUROPE / TRADING

**D&M EUROPE B. V.**  
P. O. BOX 8744, BUILDING SILVERPOINT  
BEEMDSTRAAT 11, 5653 MA EINDHOVEN  
THE NETHERLANDS  
PHONE : +31 - 40 - 2507844  
FAX : +31 - 40 - 2507860

#### CANADA

**D&M Canada Inc.**  
5-505 APPLE CREEK BLVD.  
MARKHAM, ONTARIO L3R 5B1  
CANADA  
PHONE : 905 - 415 - 9292  
FAX : 905 - 475 - 4159

#### JAPAN

**D&M Holdings Inc.**  
D&M BUILDING, 2-1 NISSHIN-CHO,  
KAWASAKI-KU, KAWASAKI-SHI,  
KANAGAWA, 210-8569 JAPAN

株式会社 ディーアンドエムホールディングス  
  
本 社 〒210-8569  
神奈川県川崎市川崎区日進町2-1 D&Mビル



#### KOREA

**D&M SALES AND MARKETING KOREA LTD.**  
CHUNG JIN B/D., #1001,  
53-5, WONHYORO 3 GA, YONGSAN-GU,  
SEOUL, 140-719, KOREA  
PHONE : +82 - 2 - 323 - 2155  
FAX : +82 - 2 - 323 - 2154


#### CHINA

**D&M SALES AND MARKETING SHANGHAI LTD.**  
ROOM.808 SHANGHAI AIRPORT CITY TERMINAL  
NO.1600 NANJING (WEST) ROAD, SHANGHAI,  
CHINA. 200040  
TEL : 021 - 6248 - 5151  
FAX : 021 - 6248 - 4434

### NOTE ON SAFETY :

Symbol  Fire or electrical shock hazard. Only original parts should be used to replaced any part marked with symbol  . Any other component substitution (other than original type), may increase risk of fire or electrical shock hazard.

### 安全上の注意 :

 がついている部品は、安全上重要な部品です。必ず指定されている部品番号のものを使用して下さい。

### SHOCK, FIRE HAZARD SERVICE TEST :

**CAUTION :** After servicing this appliance and prior to returning to customer, measure the resistance between either primary AC cord connector pins (with unit NOT connected to AC mains and its Power switch ON), and the face or Front Panel of product and controls and chassis bottom.

Any resistance measurement less than 1 Megohms should cause unit to be repaired or corrected before AC power is applied, and verified before it is return to the user/customer.

Ref. UL Standard No. 60065.

In case of difficulties, do not hesitate to contact the Technical Department at above mentioned address.

# 1. TECHNICAL SPECIFICATIONS

## SIGNAL SYSTEM

NTSC color

## APPLICABLE DISCS

- (1) BD/DVD-Video Discs  
1-layer 12cm single-sided discs, 2-layer 12cm single-sided discs, 2-layer 12cm double-sided discs (1 layer per side)
- (2) BD-RE/BD-R (Recorded in BDMV format)  
1-layer 12cm single-sided discs, 2-layer 12cm single-sided discs  
1-layer 8cm single-sided discs, 2-layer 8cm single-sided discs
- (3) DVD-R  
1-layer 12cm single-sided discs, 2-layer 12cm single-sided discs  
1-layer 8cm single-sided discs, 2-layer 8cm single-sided discs
- (4) DVD-RW  
1-layer 12cm single-sided discs  
1-layer 8cm single-sided discs
- (5) Compact discs (audio CD)  
12cm discs, 8cm discs
- (6) CD-RW/-R  
12cm discs, 8cm discs

## APPLICABLE MEMORY CARDS

- (1) SD Memory Card
- (2) SDHC Memory Card
- (3) miniSD Card
- (4) microSD Card

## VIDEO OUTPUT

Y output level: 1Vp-p (75Ω/ohms)  
Output connectors: Pin jack, 1 set

## COMPONENT OUTPUT

Y output level: 1Vp-p (75Ω/ohms)  
P<sub>B</sub>/C<sub>B</sub> output level: 0.648Vp-p (75Ω/ohms)  
P<sub>R</sub>/C<sub>R</sub> output level: 0.648Vp-p (75Ω/ohms)  
Output connectors: Pin jacks, 1 set

## HDMI OUTPUT

Output jack: 19-pin HDMI terminal, 1 set  
HDMI ver. 1.3a (Deep Color, Dolby Digital Plus, Dolby TrueHD, DTS-HD)

## NETWORK TERMINAL

10BASE-T/ 100BASE-TX

## ANALOG AUDIO OUTPUT

Output level: 2V<sub>rms</sub> (10kΩ/kohms)  
2 channel (L, R) output connector: Pin jacks, 1 set  
Multi channel (FL, FR, C, SL, SR, SBL, SBR, SW): Pin jacks, 1 set

## AUDIO OUTPUT PROPERTIES

- (1) Frequency response
  - 1 BDs (linear PCM)
    - : 20Hz to 22kHz (48kHz sampling)
    - : 20Hz to 44kHz (96kHz sampling)
    - : 20Hz to 88kHz (192kHz sampling)
  - 2 DVDs (linear PCM)
    - : 20Hz to 22kHz (48kHz sampling)
    - : 20Hz to 44kHz (96kHz sampling)
  - 3 CDs
    - : 20Hz to 20kHz
- (2) S/N ratio : 115dB
- (3) Total harmonic distortion : 1kHz 0.004%
- (4) Dynamic range : 100dB (BD/DVD) / 98dB (CD)

## DIGITAL AUDIO OUTPUT

Coaxial digital output: Pin jack, 1 set

## POWER SUPPLY

AC 120V, 60Hz

## POWER CONSUMPTION

30W (Standby: 0.8W, Power saving: 0.75W)

## MAXIMUM EXTERNAL DIMENSIONS

W : 440mm (17-3/8")  
H : 105mm (4-3/16")  
D : 324mm (12-13/16")  
(including protruding parts)

## MASS

4.9 kg (10.9 lbs)

## REMOTE CONTROL: RC004BD

Infrared pulse type  
Supply: DC 3V, 2 R6/AA batteries  
External dimensions:  
W : 52mm (2-1/16")  
H : 227mm (8-15/16")  
D : 30mm (1-3/16")  
Mass : 138g (0.3 lbs) (including batteries)

## About Discs

### Disc Handling

- Handle the discs so that fingerprints and dust do not adhere to the surfaces of the discs.
- Always store the disc in its protective case when it is not used.
- Note that discs with special shapes cannot be played on this product. Do not attempt to play back such discs, as they may damage the unit.




### Cleaning Discs

- When a disc becomes dirty, clean it with a cleaning cloth. Wipe the disc from the center to out. Do not wipe in a circular motion.
- Do not use solvents such as benzine, thinner, commercially available cleaners, detergent, abrasive cleaning agents or antistatic spray intended for analog records.

### Playable Discs and Files

This unit is compatible to play back the following discs. To play back a BD or DVD, make sure that it meets the requirements for region codes and color systems as described on page 5. You can play back discs that have the following logos on the disc. Other disc types are not guaranteed to play back.

Playable discs	Logos
Blu-ray Disc - BD-Video - BD-RE (ver.2.1) (Recorded in BDMV format) - BD-R (ver.1.1/1.2/1.3) (Recorded in BDMV format) (Unclosed discs may not be played back.)	
DVD-Video	
DVD-RW (Finalized discs only)	
DVD-R DVD-R DL (Finalized discs only)	
CD-DA (audio CD)	
CD-RW	
CD-R	
Kodak Picture CD	
DTS-CD (5.1 Music Disc)	—

Playable files	Logos	Media
AVCHD		DVD-RW/-R SD Memory Card (including SDHC) miniSD Card microSD Card
DivX®		BD-RE/-R DVD-RW/-R CD-RW/-R
MP3	—	BD-RE/-R DVD-RW/-R CD-RW/-R
Windows Media™ Audio		SD Memory Card (including SDHC) miniSD Card microSD Card
JPEG	—	microSD Card

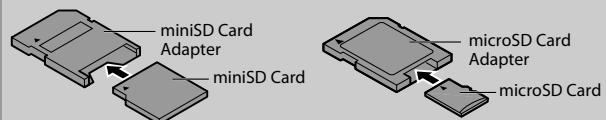
### Note

- ABOUT DIVX VIDEO: DivX® is a digital video format created by DivX, Inc. This is an official DivX Certified device that plays DivX video. Visit [www.divx.com](http://www.divx.com) for more information and software tools to convert your files into DivX video.
- ABOUT DIVX VIDEO-ON-DEMAND: This DivX Certified® device must be registered in order to play DivX Video-on-Demand (VOD) content. To generate the registration code, locate the DivX VOD section in the device setup menu. Go to [vod.divx.com](http://vod.divx.com) with this code to complete the registration process and learn more about DivX VOD.
- Discs containing the DivX® files with the DivX® GMC (Global Motion Compensation) playback feature, which is DivX® supplemental function, cannot be played back on this unit.
- This unit cannot play back the disc contents protected by Windows Media™ Digital Rights Management (DRM).
- "WMA" (Windows Media™ Audio) is an audio codec developed by Microsoft® in the United States of America.

Readable cards	Playable files / data
SD Memory Card (8MB - 2GB)	AVCHD, MP3, Windows Media™
SDHC Memory Card (4GB - 8GB)	Audio, JPEG, Picture-in-picture
miniSD Card (8MB - 2GB)	commentary, subtitles or other
microSD Card (8MB - 2GB)	extras for BD-ROM ver. 2 (Profile 1.1)

### Note for SD Memory Cards

- Do not remove the SD Memory Card or turn the unit to the standby mode while the contents of the card is in playback. It may result in malfunction or loss of the card's data.
- Please keep the SD Memory Cards in their cases when you are not using them.
- Do not try to open or modify the card.
- Do not touch the terminal surface with your fingers or any metals.
- Do not attach additional labels or stickers to cards.
- Do not remove the label of the SD Memory Cards.
- This unit supports SD Memory Card with FAT12/FAT16 file system, and SDHC Memory Card with FAT32 file system.
- This unit may not read the SD Memory Cards formatted on computer. If that is the case, please reformat the SD Memory Cards on this unit and try again.
- This unit does not support mini SDHC and micro SDHC Memory Card.
- For miniSD Card and microSD Card adapter is necessary.



- Portions of this product are protected under copyright law and are provided under license by ARIS/SOLANA/4C.

## Unplayable Discs

The following discs will not play back on this unit.

- BD-RE (ver.1.0) (BD-disc with cartridge)
- BD-RE (ver.2.1) (Recorded in BDAV format)
- BD-R (ver.1.1/1.2/1.3) (Recorded in BDAV format)
- BD that contains AVCHD files
- Multi-session burn BD/DVD with DivX® files
- Multi-session burn BD-RE/-R with MP3/Windows Media™ Audio/JPEG files
- DVD/DVD hybrid disc (e.g. Total Hi Def hybrid disc)
- BD-Video that does not include "A" on its region code.
- DVD-Video that does not include either "1" nor "ALL" on its region code.
- DVD-ROM/RAM (For DVD-ROM discs, data files in DivX® 3.11, 4.x, 5.x and 6.x can be played)
- CD-ROM (Data files in DivX® 3.11, 4.x, 5.x and 6.x can be played)
- CDV (Only the audio part can be played)
- CD-G (Only the audio signals can be output)
- Compact Disc-Interactive (CD-I)
- Video Single Disc (VSD)
- Video CD, Super Video CD
- Super audio CD (Only the sound on the CD layer can be heard. The sound on the high-density super audio CD layer cannot be heard.)
- DVD-Audio
- HD DVD
- Disc with recording area less than 55mm in diameter
- Unauthorized disc (Pirated disc)
- Unfinalized disc

## Color Systems

BD and DVD are recorded in different color systems throughout the world. The most common color system is NTSC (which is used primarily in the United States and Canada).

This unit uses NTSC, so BD or DVD you play back must be recorded in the NTSC system. You cannot play back BD or DVD recorded in other color systems.

## Region Codes

This unit has been designed to play back BD with region A and DVD-Video with region 1. You cannot play back BD or DVD-Video that are labeled for other regions. Look for the symbols on the right on your BD or DVD-Video. If these region symbols do not appear on your BD or DVD-Video, you cannot play back the disc in this unit. The letter or number inside the globe refers to region of the world. A BD or DVD-Video labeled for a specific region can only play back on the unit with the same region code.

BD-Video

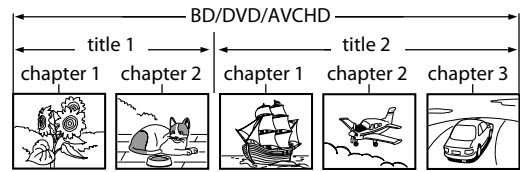


DVD-Video

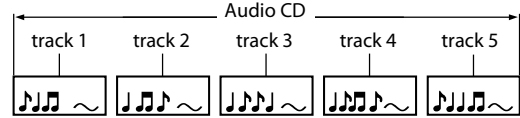


## Structure of Disc/SD Memory Card Contents

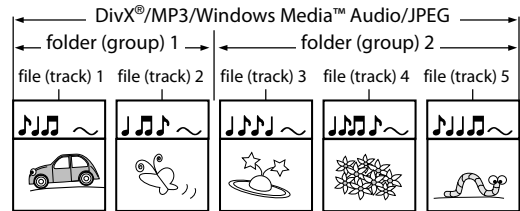
The contents of disc are generally divided into titles. Titles may be further subdivided into chapters.



Audio CDs are divided into tracks.



Data discs or SD Memory Cards containing DivX® (in discs only)/MP3/Windows Media™ Audio/JPEG are divided into folders, and the folders are subdivided into files.



## Symbols Used in this User Guide

To specify for which media type each function is, we put the following symbols at the beginning of each item to operate.

Symbol	Description
<b>BD-V</b>	Description refers to BD-Video and BD-RE (ver. 2.1)/BD-R (ver.1.1/1.2/1.3) recorded in BDMV format
<b>DVD-V</b>	Description refers to DVD-Video and DVD-RW/-R recorded in video mode
<b>DVD-VR</b>	Description refers to DVD-RW/-R recorded in VR mode
<b>CD</b>	Description refers to audio CD and DTS-CD
<b>AVCHD</b>	Description refers to DVD-RW/-R and SD Card with AVCHD files
<b>DivX®</b>	Description refers to BD-RE/-R, DVD-RW/-R and CD-RW/-R with DivX® files
<b>MP3</b>	Description refers to BD-RE/-R, DVD-RW/-R, CD-RW/-R and SD Memory Card with MP3 files
<b>WMA</b>	Description refers to BD-RE/-R, DVD-RW/-R, CD-RW/-R and SD Memory Card with Windows Media™ Audio files
<b>JPEG</b>	Description refers to BD-RE/-R, DVD-RW/-R, CD-RW/-R and SD Memory Card with JPEG files

If you do not find any of the symbols listed above under the function heading, the operation is applicable to all media.

### About the button names in this explanation

< > : Buttons on the main unit

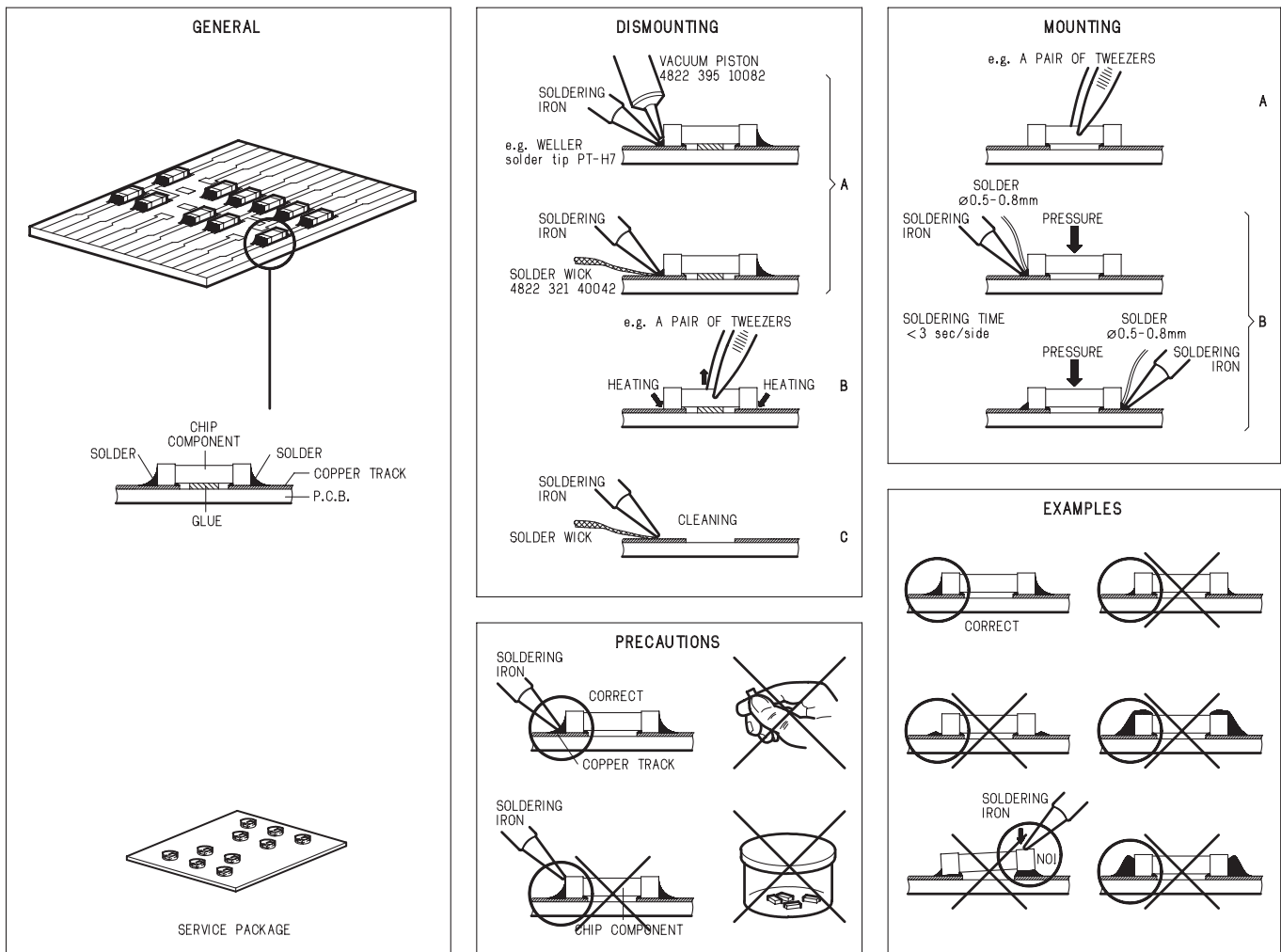
[ ] : Buttons on the remote control

#### Button name only:

Buttons on the main unit and remote control

## 2. SERVICE HINTS AND TOOLS

### SERVICE HINTS



### SERVICE TOOLS

Audio signals disc	4822 397 30184
Disc without errors (SBC444)+	
Disc with DO errors, black spots and fingerprints (SBC444A)	4822 397 30245
Disc (65 min 1kHz) without no pause	4822 397 30155
Max. diameter disc (58.0 mm)	4822 397 60141
Torx screwdrivers	
Set (straight)	4822 395 50145
Set (square)	4822 395 50132
13th order filter	4822 395 30204
DVD test disc (PAL)	4822 397 10131
DVD test disc (NTSC) ALMEDIO	TDV-540

### 3. WARNING AND LASER SAFETY INSTRUCTION

#### GB WARNING

All ICs and many other semi-conductors are susceptible to electrostatic discharges (ESD). Careless handling during repair can reduce life drastically. When repairing, make sure that you are connected with the same potential as the mass of the set via a wrist wrap with resistance. Keep components and tools also at this potential.

#### ESD



#### NL WAARSCHUWING

Alle IC's en vele andere halfgeleiders zijn gevoelig voor elektrostatische ontladingen (ESD). Onzorgvuldig behandelen tijdens reparatie kan de levensduur drastisch doen verminderen. Zorg ervoor dat u tijdens reparatie via een polsband met weerstand verbonden bent met hetzelfde potentiaal als de massa van het apparaat. Houd componenten en hulpmiddelen ook op ditzelfde potentiaal.

#### F ATTENTION

Tous les IC et beaucoup d'autres semi-conducteurs sont sensibles aux décharges statiques (ESD). Leur longévité pourrait être considérablement écourtée par le fait qu'aucune précaution n'est prise à leur manipulation. Lors de réparations, s'assurer de bien être relié au même potentiel que la masse de l'appareil et enfilé le braceleterti d'une résistance de sécurité. Veiller à ce que les composants ainsi que les outils que l'on utilise soient également à ce potentiel.

#### D WARNUNG

Alle IC und viele andere Halbleiter sind empfindlich gegen elektrostatische Entladungen (ESD). Unvorsichtige Behandlung bei der Reparatur kann die Lebensdauer drastisch vermindern. Sorgen sie dafür, das Sie im Reparaturfall über ein Pulsarmband mit Widerstand mit dem Massepotential des Gerätes verbunden sind. Halten Sie Bauteile und Hilfsmittel ebenfalls auf diesem Potential.

#### I AVVERTIMENTO

Tutti IC e parecchi semi-conduttori sono sensibili alle scariche statiche (ESD). La loro longevita potrebbe essere fortemente ridatta in caso di non osservazione della piu grande cauzione alla loro manipolazione. Durante le riparazioni occorre quindi essere collegato allo stesso potenziale che quello della massa dell'apparecchio tramite un braccialetto a resistenza. Assicurarsi che i componenti e anche gli utensili con quali si lavora siano anche a questo potenziale.

#### GB

Safety regulations require that the set be restored to its original condition and that parts which are identical with those specified be used.

#### NL

Veiligheidsbepalingen vereisen, dat het apparaat in zijn oorspronkelijke toestand wordt terug gebracht en dat onderdelen, identiek aan de gespecificeerde worden toegepast.

#### D

Bei jeder Reparatur sind die geltenden Sicherheitsvorschriften zu beachten. Der Originalzustand des Gerats darf nicht verändert werden. Fur Reparaturen sind Original-Ersatzteile zu verwenden.

#### I

Le norme di sicurezza esigono che l'apparecchio venga rimesso nelle condizioni originali e che siano utilizzati pezzi di ricambio idetici a quelli specificati.

#### F

"Pour votre sécurité, ces documents doivent être utilisés par des spécialistes agréés, seuls habilités à réparer votre appareil en panne."

Les normes de sécurité exigent que l'appareil soit remis a l'état d'origine et que soient utilisées les pièces de rechange identiques à celles spécifiées.

### LASER SAFETY

This unit employs a laser. Only a qualified service person should remove the cover or attempt to service this device, due to possible eye injury.



**USE OF CONTROLS OR ADJUSTMENTS OR PERFORMANCE OF PROCEDURE OTHER THAN THOSE SPECIFIED HEREIN MAY RESULT IN HAZARDOUS RADIATION EXPOSURE.**

**AVOID DIRECT EXPOSURE TO BEAM**

#### WARNING

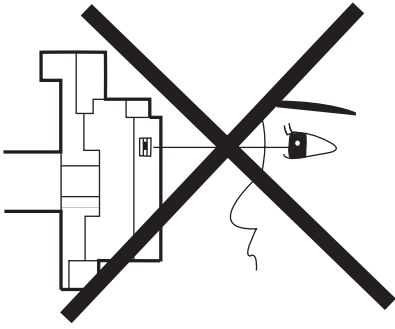
**The use of optical instruments with this product will increase eye hazard. Repair handling should take place as much as possible with a disc loaded inside the player**

#### WARNING LOCATION: INSIDE ON LASER COVERSIELD

**CAUTION** VISIBLE AND INVISIBLE LASER RADIATION WHEN OPEN AVOID EXPOSURE TO BEAM  
**ADVARSEL** SYNLIG OG USYNLIG LASERSTRÅLING VED ÅBNING UNDGÅ UDSÆTTELSE FOR STRÅLING  
**ADVARSEL** SYNLIG OG USYNLIG LASERSTRÅLING NÅR DEKSEL Å PNES UNNGÅ EKSPONERING FOR STRÅLEN  
**VARNING** SYNLIG OCH OSYNLIG LASERSTRÅLNING NÅR DENNA DEL ÅR ÖPPNAD BETRAKTA EJ STRÅLEN  
**VARO!** AVATT AESSA OLET ALTTIINA NÄKYVÄLLE JA NÄKYMÄTTÖMÄLLE LASER SÄTEILYLLE. ÄLÄ KATSO SÄTEESEEN  
**VORSICHT** SICHTBARE UND UNSICHTBARE LASERSTRAHLUNG WENN ABDECKUNG GEÖFFNET NICHT DEM STRAHL AUSSETSEN  
**DANGER** VISIBLE AND INVISIBLE LASER RADIATION WHEN OPEN AVOID DIRECT EXPOSURE TO BEAM  
**ATTENTION** RAYONNEMENT LASER VISIBLE ET INVISIBLE EN CAS D'OUVERTURE EXPOSITION DANGEREUSE AU FAISCEAU

## 4. LASER BEAM SAFETY PRECAUTIONS

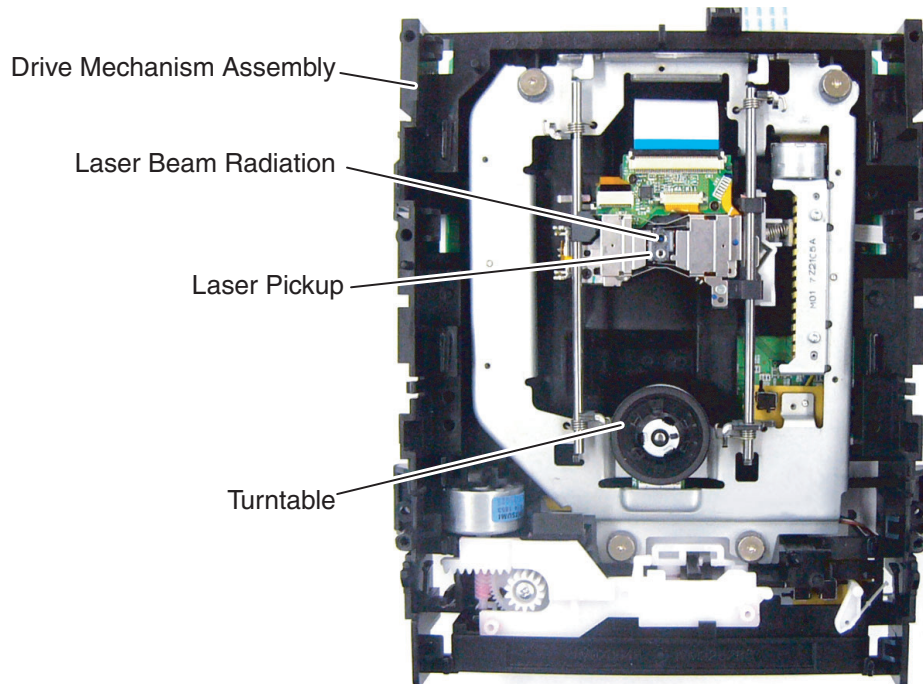
This BD player uses a pickup that emits a laser beam.



**Do not look directly at the laser beam coming from the pickup or allow it to strike against your skin.**

The laser beam is emitted from the location shown in the figure. When checking the laser diode, be sure to keep your eyes at least 30 cm away from the pickup lens when the diode is turned on. Do not look directly at the laser beam.

**CAUTION:** Use of controls and adjustments, or doing procedures other than those specified herein, may result in hazardous radiation exposure.



<b>DANGER</b>	- VISIBLE AND INVISIBLE LASER RADIATION WHEN OPEN. AVOID DIRECT EXPOSURE TO BEAM.
<b>CAUTION</b>	- VISIBLE AND INVISIBLE LASER RADIATION WHEN OPEN. AVOID EXPOSURE TO BEAM.
<b>ATTENTION</b>	- RAYONNEMENT LASER VISIBLE ET INVISIBLE EN CAS D'OUVERTURE EXPOSITION DANGEREUSE AU FAISCEAU.
<b>注意</b>	- ここを開くと可視及び不可視のレーザー光が出ます。 ビームを直接見たり、触れたりしないでください。

**Location: Inside Top of BD mechanism.**



## 5. IMPORTANT SAFETY PRECAUTIONS

### Product Safety Notice

Some electrical and mechanical parts have special safety-related characteristics which are often not evident from visual inspection, nor can the protection they give necessarily be obtained by replacing them with components rated for higher voltage, wattage, etc. Parts that have special safety characteristics are identified by a  $\triangle$  on schematics and in parts lists. Use of a substitute replacement that does not have the same safety characteristics as the recommended replacement part might create shock, fire, and/or other hazards. The Product's Safety is under review continuously and new instructions are issued whenever appropriate. Prior to shipment from the factory, our products are carefully inspected to confirm with the recognized product safety and electrical codes of the countries in which they are to be sold. However, in order to maintain such compliance, it is equally important to implement the following precautions when a set is being serviced.

### Precautions during Servicing

- A.** Parts identified by the  $\triangle$  symbol are critical for safety. Replace only with part number specified.
- B.** In addition to safety, other parts and assemblies are specified for conformance with regulations applying to spurious radiation. These must also be replaced only with specified replacements.  
Examples: RF converters, RF cables, noise blocking capacitors, and noise blocking filters, etc.
- C.** Use specified internal wiring. Note especially:
  - 1) Wires covered with PVC tubing
  - 2) Double insulated wires
  - 3) High voltage leads
- D.** Use specified insulating materials for hazardous live parts. Note especially:
  - 1) Insulation tape
  - 2) PVC tubing
  - 3) Spacers
  - 4) Insulators for transistors
- E.** When replacing AC primary side components (transformers, power cord, etc.), wrap ends of wires securely about the terminals before soldering.
- F.** Observe that the wires do not contact heat producing parts (heat sinks, oxide metal film resistors, fusible resistors, etc.).
- G.** Check that replaced wires do not contact sharp edges or pointed parts.
- H.** When a power cord has been replaced, check that 5 - 6 kg of force in any direction will not loosen it.

- I.** Also check areas surrounding repaired locations.
- J.** Be careful that foreign objects (screws, solder droplets, etc.) do not remain inside the set.
- K.** When connecting or disconnecting the internal connectors, first, disconnect the AC plug from the AC outlet.

## Safety Check after Servicing

Examine the area surrounding the repaired location for damage or deterioration. Observe that screws, parts, and wires have been returned to their original positions. Afterwards, do the following tests and confirm the specified values to verify compliance with safety standards.

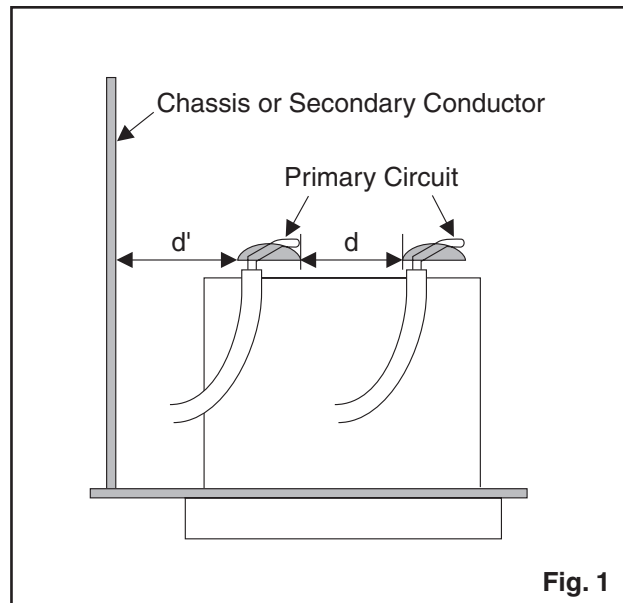
### 1. Clearance Distance

When replacing primary circuit components, confirm specified clearance distance ( $d$ ) and ( $d'$ ) between soldered terminals, and between terminals and surrounding metallic parts. (See Fig. 1)

**Table 1: Ratings for selected area**

AC Line Voltage	Clearance Distance ( $d$ ), ( $d'$ )
120 V	$\geq 3\text{mm}(d)$ $\geq 4\text{mm}(d')$

**Note:** This table is unofficial and for reference only. Be sure to confirm the precise values.



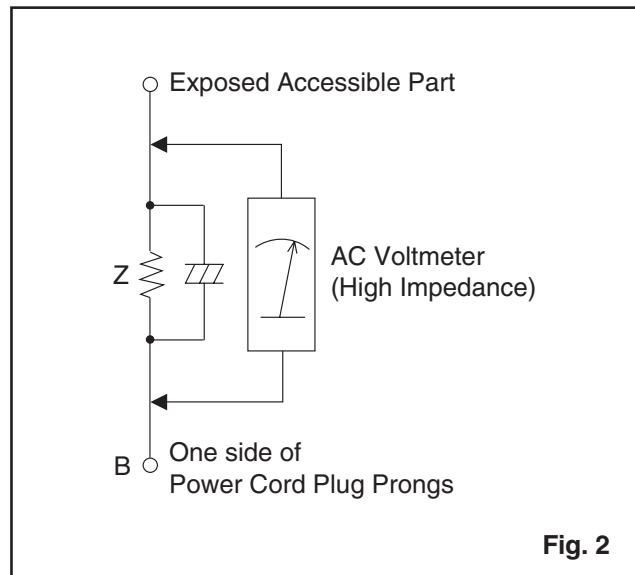
**Fig. 1**

### 2. Leakage Current Test

Confirm the specified (or lower) leakage current between B (earth ground, power cord plug prongs) and externally exposed accessible parts (RF terminals, antenna terminals, video and audio input and output terminals, microphone jacks, earphone jacks, etc.) is lower than or equal to the specified value in the table below.

#### Measuring Method (Power ON):

Insert load  $Z$  between B (earth ground, power cord plug prongs) and exposed accessible parts. Use an AC voltmeter to measure across the terminals of load  $Z$ . See Fig. 2 and the following table.



**Fig. 2**

**Table 2: Leakage current ratings for selected areas**

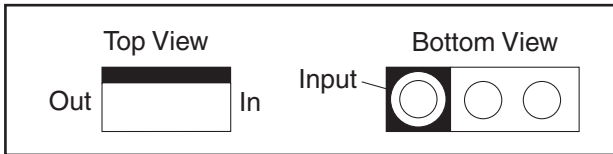
AC Line Voltage	Load $Z$	Leakage Current ( $i$ )	One side of power cord plug prongs (B) to:
120 V	2k $\Omega$ RES. Connected in parallel	$i \leq 0.7\text{mA AC Peak}$ $i \leq 2\text{mA DC}$	RF or Antenna terminals
	50k $\Omega$ RES. Connected in parallel	$i \leq 0.7\text{mA AC Peak}$ $i \leq 2\text{mA DC}$	A/V Input, Output

**Note:** This table is unofficial and for reference only. Be sure to confirm the precise values.

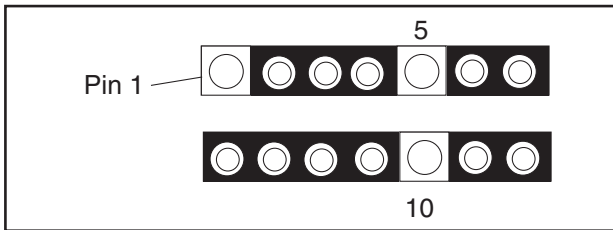
## 6. STANDARD NOTES FOR SERVICING

### Circuit Board Indications

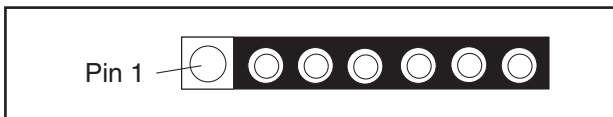
1. The output pin of the 3 pin Regulator ICs is indicated as shown.



2. For other ICs, pin 1 and every fifth pin are indicated as shown.

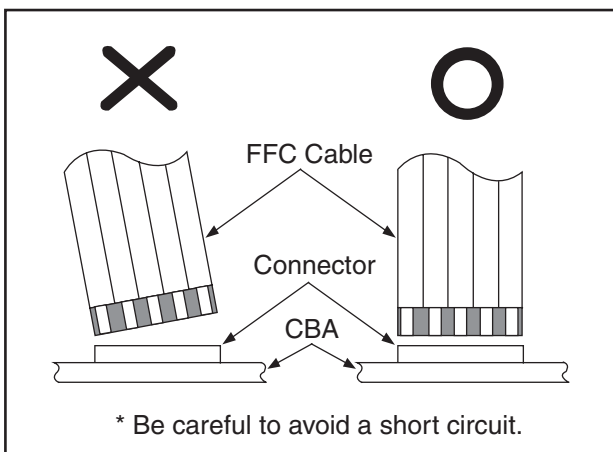


3. The 1st pin of every male connector is indicated as shown.



### Instructions for Connectors

1. When you connect or disconnect the FFC (Flexible Foil Connector) cable, be sure to first disconnect the AC cord.
2. FFC (Flexible Foil Connector) cable should be inserted parallel into the connector, not at an angle.



### Pb (Lead) Free Solder

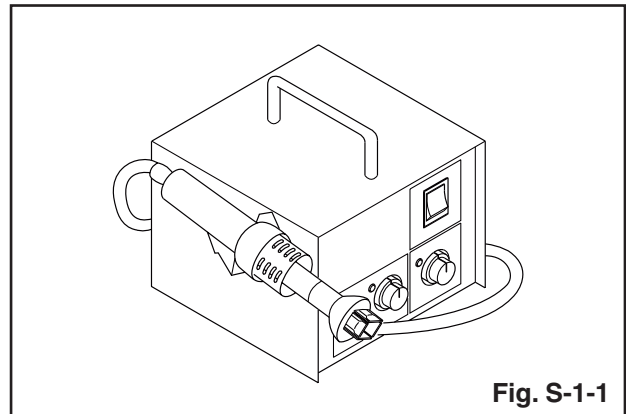
When soldering, be sure to use the Pb free solder.

### How to Remove / Install Flat Pack-IC

#### 1. Removal

With Hot-Air Flat Pack-IC Desoldering Machine:

1. Prepare the hot-air flat pack-IC desoldering machine, then apply hot air to the Flat Pack-IC (about 5 to 6 seconds). (Fig. S-1-1)

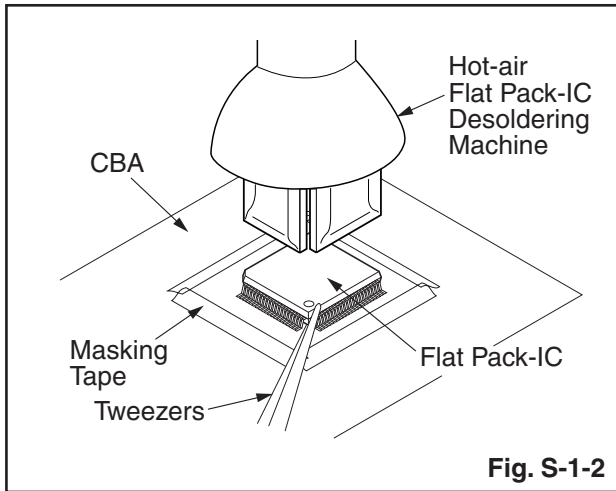


2. Remove the flat pack-IC with tweezers while applying the hot air.
3. Bottom of the flat pack-IC is fixed with glue to the CBA; when removing entire flat pack-IC, first apply soldering iron to center of the flat pack-IC and heat up. Then remove (glue will be melted). (Fig. S-1-6)
4. Release the flat pack-IC from the CBA using tweezers. (Fig. S-1-6)

#### CAUTION:

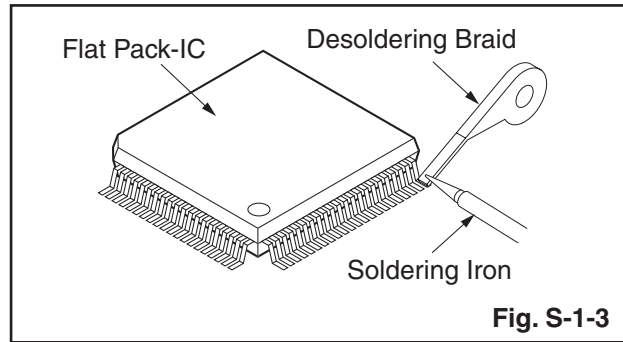
1. The Flat Pack-IC shape may differ by models. Use an appropriate hot-air flat pack-IC desoldering machine, whose shape matches that of the Flat Pack-IC.
2. Do not supply hot air to the chip parts around the flat pack-IC for over 6 seconds because damage to the chip parts may occur. Put masking tape around the flat pack-IC to protect other parts from damage. (Fig. S-1-2)

3. The flat pack-IC on the CBA is affixed with glue, so be careful not to break or damage the foil of each pin or the solder lands under the IC when removing it.

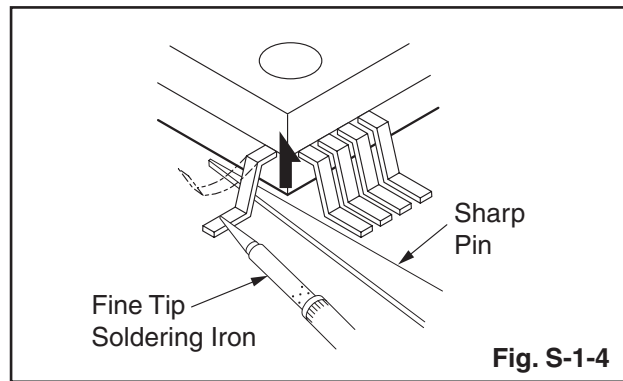


#### With Soldering Iron:

1. Using desoldering braid, remove the solder from all pins of the flat pack-IC. When you use solder flux which is applied to all pins of the flat pack-IC, you can remove it easily. (Fig. S-1-3)



2. Lift each lead of the flat pack-IC upward one by one, using a sharp pin or wire to which solder will not adhere (iron wire). When heating the pins, use a fine tip soldering iron or a hot air desoldering machine. (Fig. S-1-4)

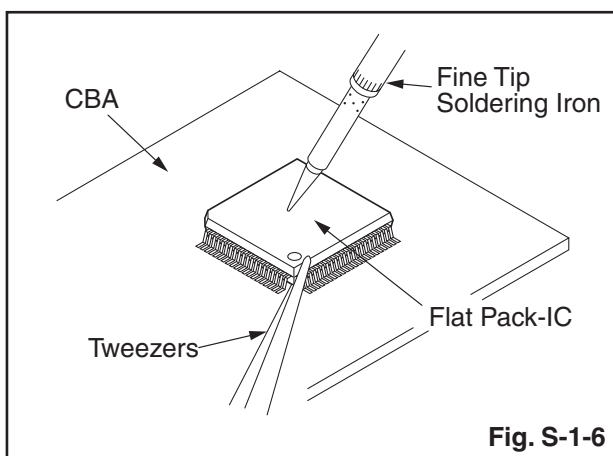
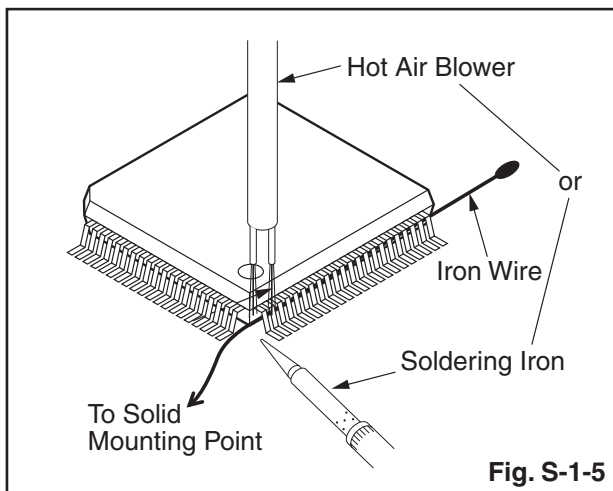


3. Bottom of the flat pack-IC is fixed with glue to the CBA; when removing entire flat pack-IC, first apply soldering iron to center of the flat pack-IC and heat up. Then remove (glue will be melted). (Fig. S-1-6)
4. Release the flat pack-IC from the CBA using tweezers. (Fig. S-1-6)

### With Iron Wire:

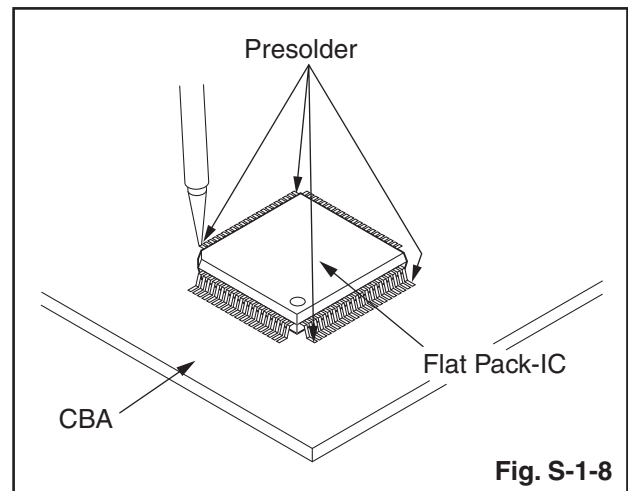
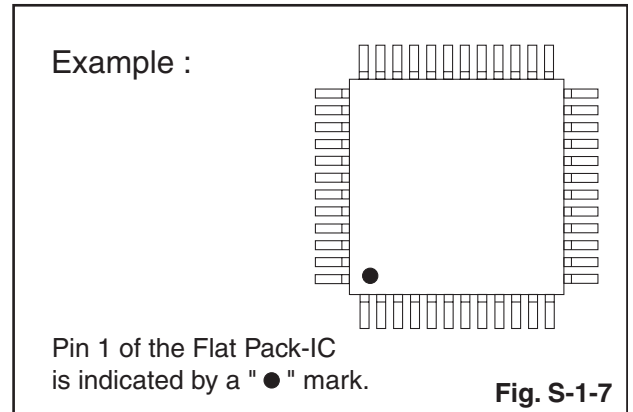
1. Using desoldering braid, remove the solder from all pins of the flat pack-IC. When you use solder flux which is applied to all pins of the flat pack-IC, you can remove it easily. (Fig. S-1-3)
2. Affix the wire to a workbench or solid mounting point, as shown in Fig. S-1-5.
3. While heating the pins using a fine tip soldering iron or hot air blower, pull up the wire as the solder melts so as to lift the IC leads from the CBA contact pads as shown in Fig. S-1-5.
4. Bottom of the flat pack-IC is fixed with glue to the CBA; when removing entire flat pack-IC, first apply soldering iron to center of the flat pack-IC and heat up. Then remove (glue will be melted). (Fig. S-1-6)
5. Release the flat pack-IC from the CBA using tweezers. (Fig. S-1-6)

**Note:** When using a soldering iron, care must be taken to ensure that the flat pack-IC is not being held by glue. When the flat pack-IC is removed from the CBA, handle it gently because it may be damaged if force is applied.



## 2. Installation

1. Using desoldering braid, remove the solder from the foil of each pin of the flat pack-IC on the CBA so you can install a replacement flat pack-IC more easily.
2. The "●" mark on the flat pack-IC indicates pin 1. (See Fig. S-1-7.) Be sure this mark matches the pin 1 on the PCB when positioning for installation. Then presolder the four corners of the flat pack-IC. (See Fig. S-1-8.)
3. Solder all pins of the flat pack-IC. Be sure that none of the pins have solder bridges.



# Instructions for Handling Semi-conductors

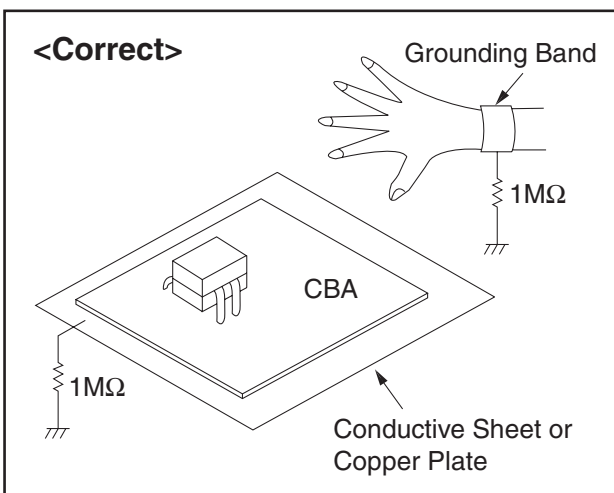
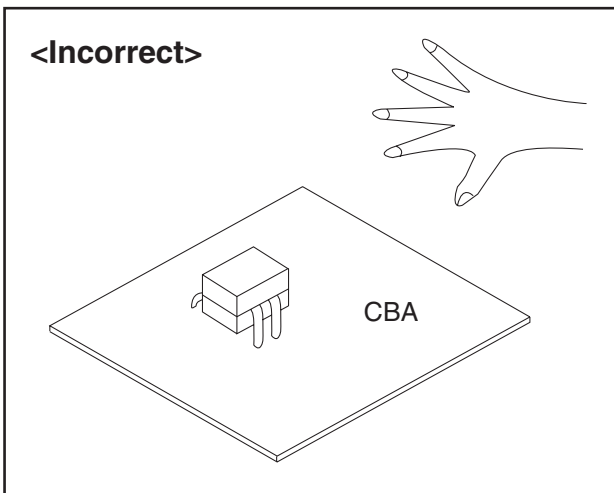
Electrostatic breakdown of the semi-conductors may occur due to a potential difference caused by electrostatic charge during unpacking or repair work.

## 1. Ground for Human Body

Be sure to wear a grounding band ( $1\text{ M}\Omega$ ) that is properly grounded to remove any static electricity that may be charged on the body.

## 2. Ground for Workbench

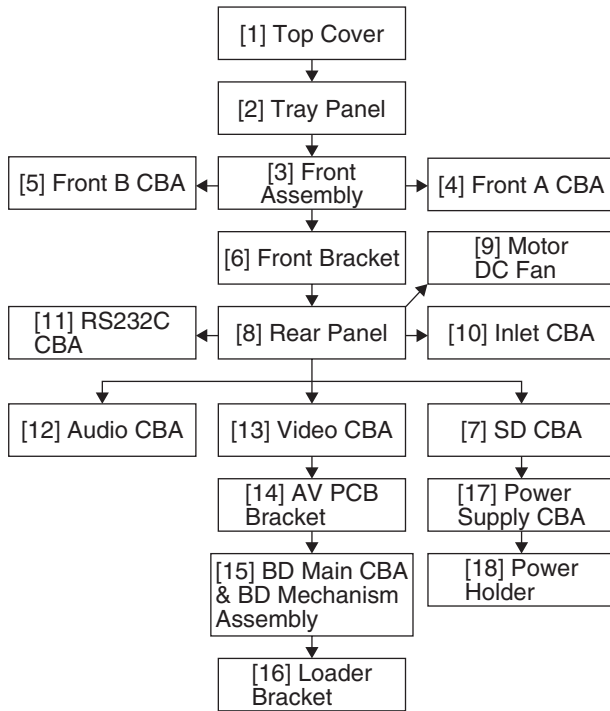
Be sure to place a conductive sheet or copper plate with proper grounding ( $1\text{ M}\Omega$ ) on the workbench or other surface, where the semi-conductors are to be placed. Because the static electricity charge on clothing will not escape through the body grounding band, be careful to avoid contacting semi-conductors with your clothing.



# 7. CABINET DISASSEMBLY INSTRUCTIONS

## 1. Disassembly Flowchart

This flowchart indicates the disassembly steps to gain access to item(s) to be serviced. When reassembling, follow the steps in reverse order. Bend, route, and dress the cables as they were originally.



## 2. Disassembly Method

ID/ Loc. No.	Part	Removal		
		Fig. No.	Remove/*Unhook/ Unlock/Release/ Unplug/Desolder	Note
[1]	Top Cover	D1	9(S-1)	---
[2]	Tray Panel	D2	-----	1
[3]	Front Assembly	D2	*5(L-1), *3(L-2), 2(S-2), 3(S-3), 10(S-4), *CN2002	2
[4]	Front A CBA	D2	*CN3001	---
[5]	Front B CBA	D2	-----	---
[6]	Front Bracket	D3	7(S-5), (S-6)	---
[7]	SD CBA	D3	2(S-7), *CN5001	---
[8]	Rear Panel	D4	5(S-8), (S-9), 2(S-10), (S-11), (S-12), 11(S-13), 2(S-14), 2(S-15), *CN1006	---

ID/ Loc. No.	Part	Removal		
		Fig. No.	Remove/*Unhook/ Unlock/Release/ Unplug/Desolder	Note
[9]	Motor DC Fan	D4	-----	---
[10]	Inlet CBA	D4	*CN1001	---
[11]	RS232C CBA	D4	*CN5501	---
[12]	Audio CBA	D5	5(S-16), *CN2005, *CN2007, *CN2008	---
[13]	Video CBA	D6	4(S-17), *CN7101	---
[14]	AV PCB Bracket	D6	4(S-18)	---
[15]	BD Main CBA & BD Mechanism Assembly	D6	4(S-19), *CN6001, *CN7601	3
[16]	Loader Bracket	D6	6(S-20)	---
[17]	Power Supply CBA	D7	3(S-21), 2(S-22)	---
[18]	Power Holder	D7	3(S-23)	---

↓ (1)      ↓ (2)      ↓ (3)      ↓ (4)      ↓ (5)

### Note:

- (1) Identification (location) No. of parts in the figures
- (2) Name of the part
- (3) Figure Number for reference
- (4) Identification of parts to be removed, unhooked, unlocked, released, unplugged, unclamped, or desoldered.  
P = Spring, L = Locking Tab, S = Screw, CN = Connector  
\* = Unhook, Unlock, Release, Unplug, or Desolder  
e.g. 2(S-2) = two Screws (S-2),  
2(L-2) = two Locking Tabs (L-2)
- (5) Refer to "Reference Notes."

### About tightening screws

When tightening screws, tighten them with the following torque.

Torque
0.45 ± 0.05 N·m

## Reference Note

### 1. How to remove tray panel

- 1) Connect the wall plug to an AC outlet and press the [▲] button to open the tray.
- 2) To lift up, the tray panel is removed.
- 3) Press the [▲] button again to close the tray.
- 4) Press the [POWER ON/STANDBY] button to turn the power off.
- 5) Unplug an AC cord.

2. **CAUTION 1:** Locking Tabs (L-1) and (L-2) are fragile. Be careful not to break them.

3. **The BD Main CBA & BD Mechanism Assembly is adjusted as a unit at factory. Therefore, do not disassemble it. Replace the BD Main CBA & BD Mechanism Assembly as a unit.**

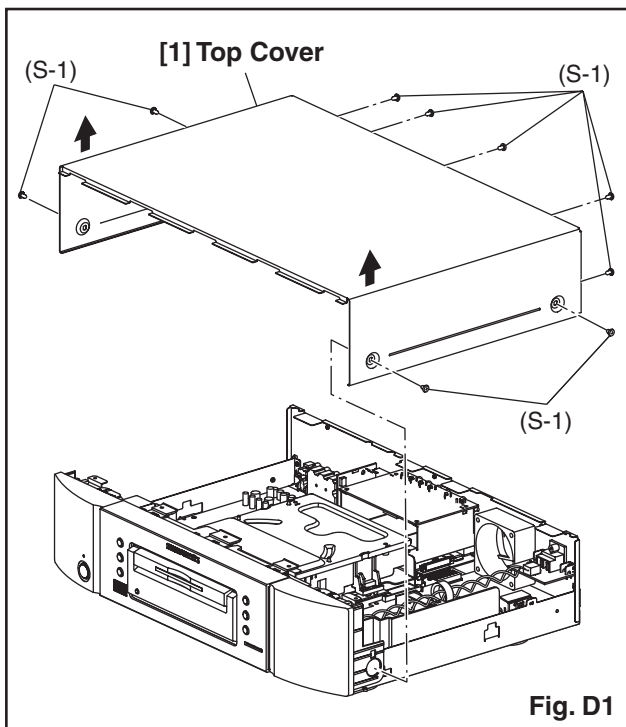


Fig. D1

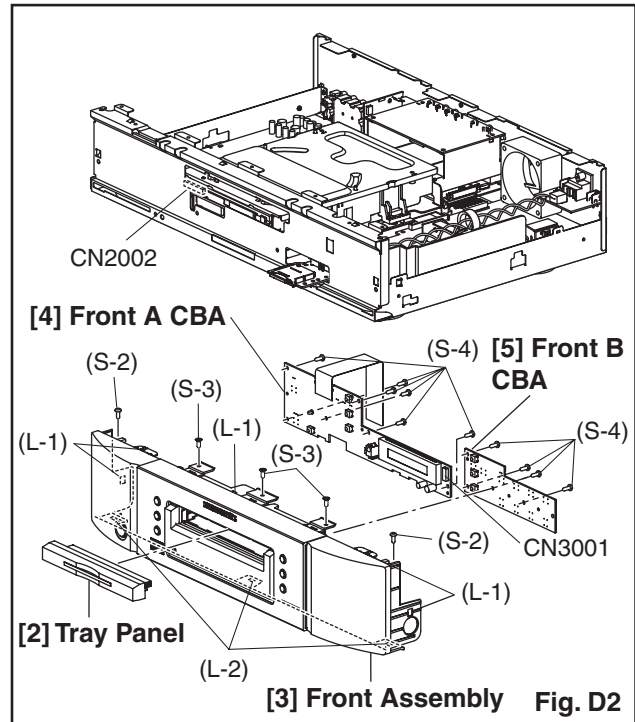


Fig. D2

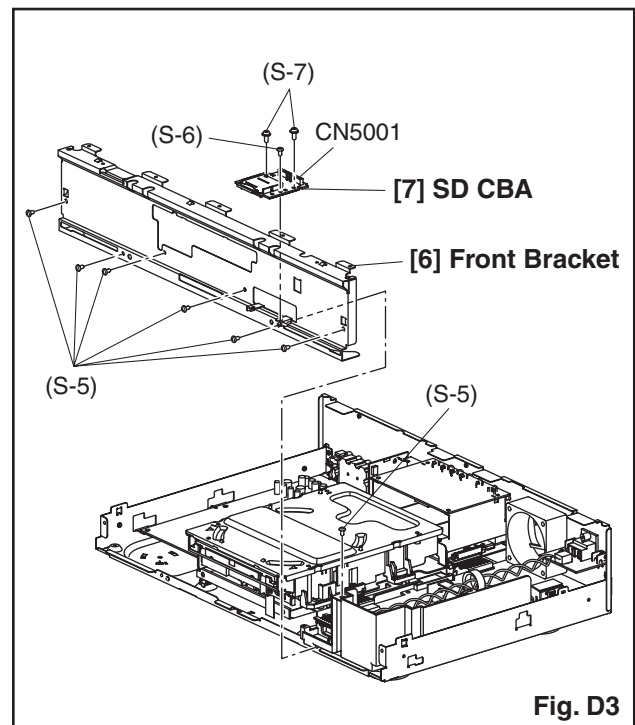
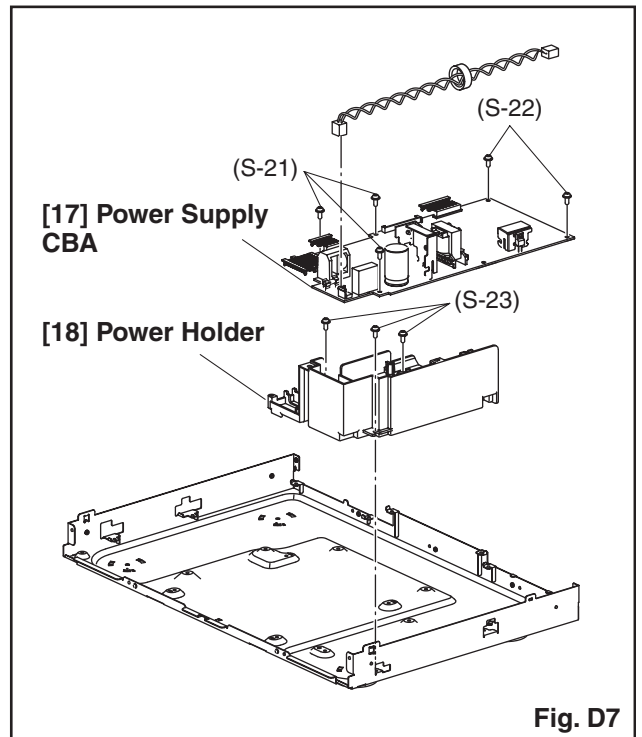
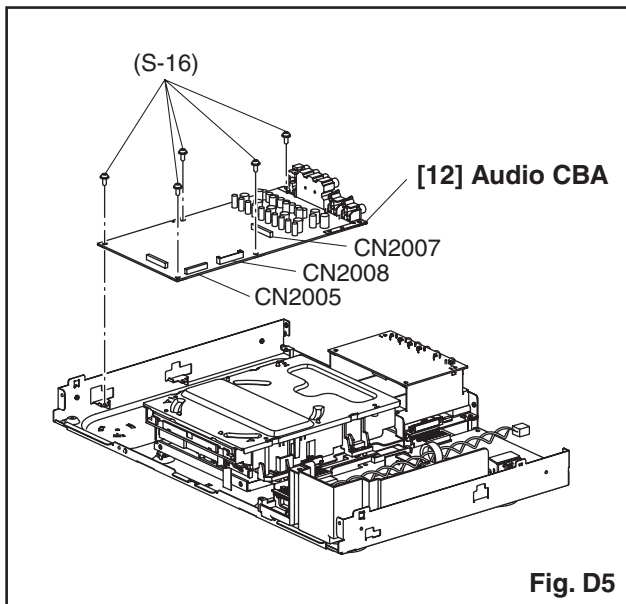
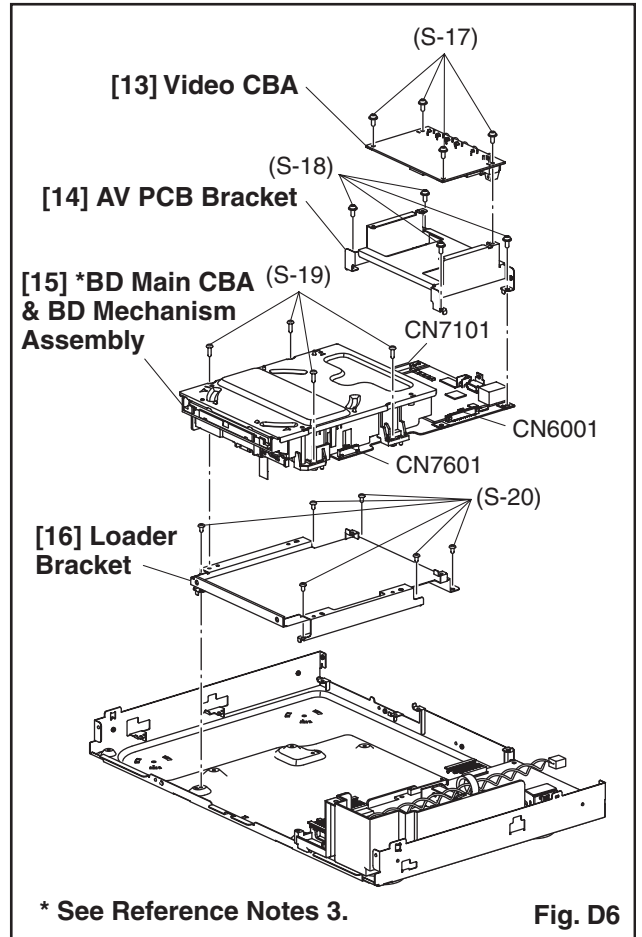
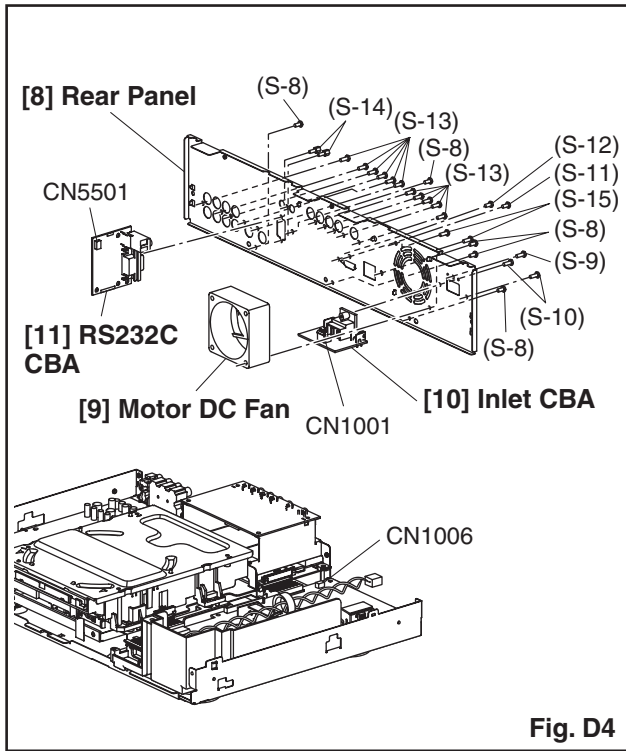


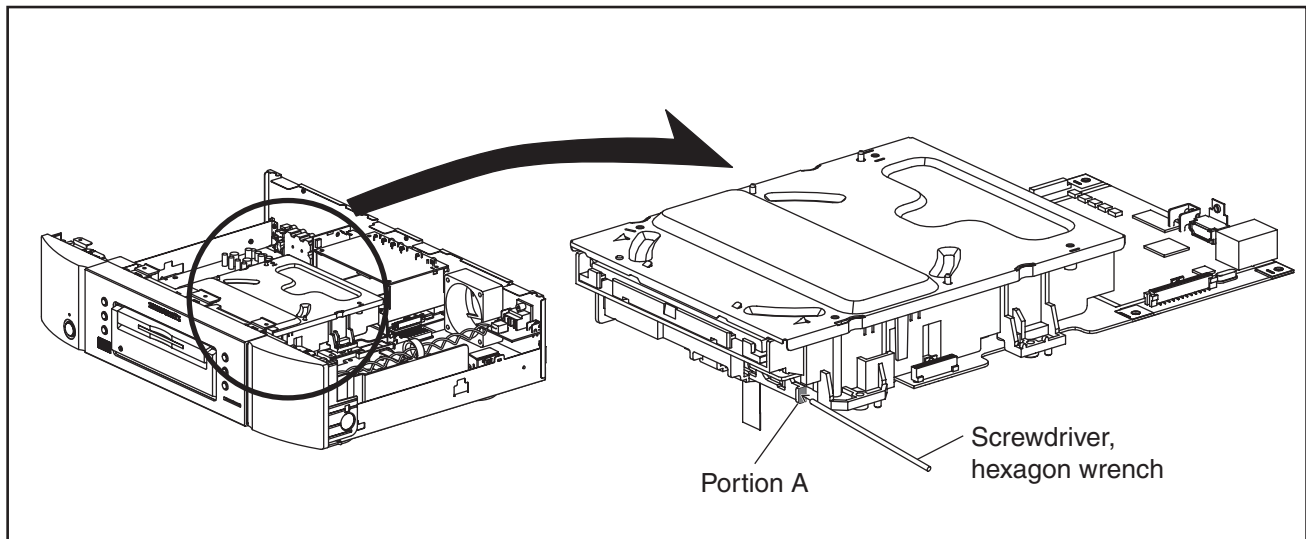
Fig. D3





### 3. How to Eject Manually

1. Remove the Top Cover.
2. Insert a screwdriver, etc. into the straightly so that the Portion A is pushed.
3. Pull the tray out manually and remove a disc.



## 8. HOW TO INITIALIZE THE BLU-RAY DISC PLAYER

To put the program back at the factory-default, initialize the BD player as the following procedure.

1. Turn the power on.
2. Remove the disc on the tray and close the tray.
3. Press [1], [2], [3], [4], and [DISPLAY] buttons on the remote control unit in that order.

Fig. a appears on the screen.

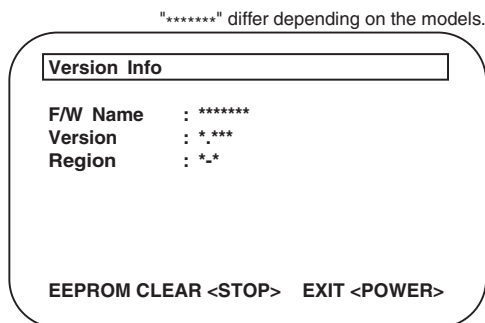


Fig. a

4. Press [■] button on the remote control unit.  
Fig. b appears on the screen and Fig. c appears on the VFD.

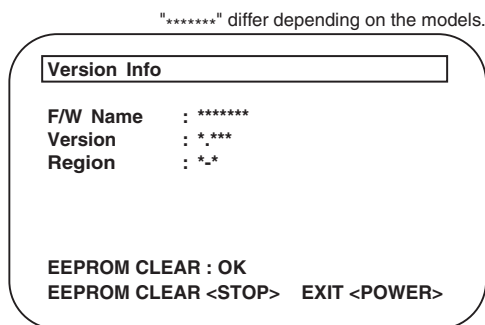


Fig. b

CLEAR

Fig. c

5. To exit this mode, press [POWER OFF] button.

# 9. FIRMWARE RENEWAL MODE

**Note:** The file extension of the available firmware is "b20".

1. Turn the power on and remove the disc on the tray and close the tray.
2. To put the BD player into version up mode, press [9], [8], [7], [6], and [POP UP MENU/MENU] buttons on the remote control unit in that order. The tray will open automatically. Fig. a appears on the screen and Fig. b appears on the VFD.

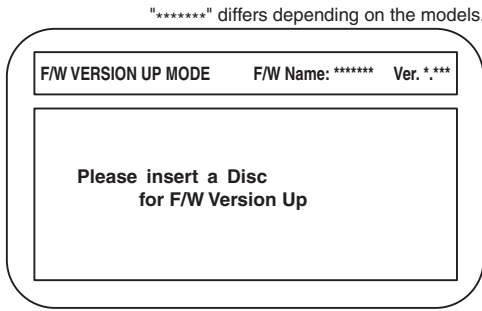


Fig. a Version Up Mode Screen

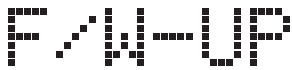


Fig. b VFD in Version Up Mode

3. Load the disc for version up.
4. The BD player enters the F/W version up mode automatically. Fig. c appears on the screen and Fig. d appears on the VFD. Make sure to insert the proper F/W for the state of this model.

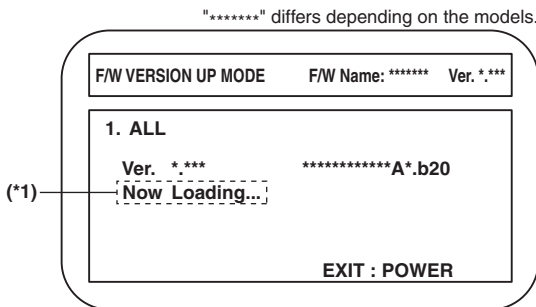


Fig. c Programming Mode Screen (Example)



Fig. d VFD in Programming Mode (Example)

The appearance shown in (\*1) of Fig. c is described as follows:

No.	Appearance	State
1	Now Loading...	Loading the disc
2	Reading...	Sending files into the memory. After reading, automatically the tray opens.
3	See FL Display	Writing new version data, the progress will be displayed as shown in Fig. e.



Fig. e VFD in Vresion Up Mode

5. After programming is finished, the checksum on the VFD (Fig. f).



Fig. f VFD upon Finishing the Programming Mode (Example)

Checksum appears on the VFD then the tray will open automatically. Remove the disc on the tray.

At this time, no button is available.

6. Unplug the AC cord from the AC outlet. Then plug it again.
7. Turn the power on.
8. Press [1], [2], [3], [4], and [DISPLAY] buttons on the remote control unit in that order. Fig. g appears on the screen.

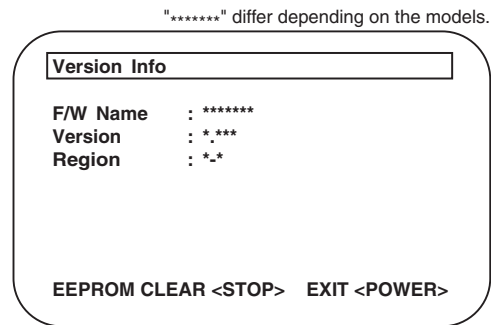


Fig. g

9. Press [ ■ ] button on the remote control unit.  
Fig. h appears on the screen and Fig. i appears on the VFD.

"\*\*\*\*\*" differ depending on the models.

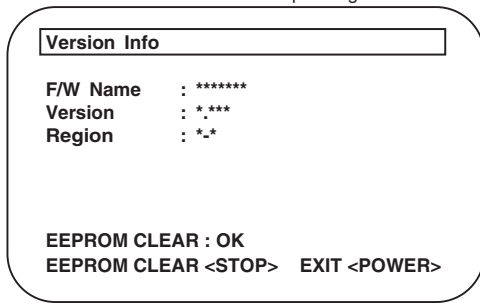


Fig. h

CLEAR

Fig. i

10. To exit this mode, press [POWER OFF] button.

## How to Verify the Firmware Version

1. Turn the power on.
2. Remove the disc on the tray and close the tray.
3. Press [1], [2], [3], [4], and [DISPLAY] buttons on the remote control unit in that order.  
Fig. j appears on the screen.

"\*\*\*\*\*" differ depending on the models.

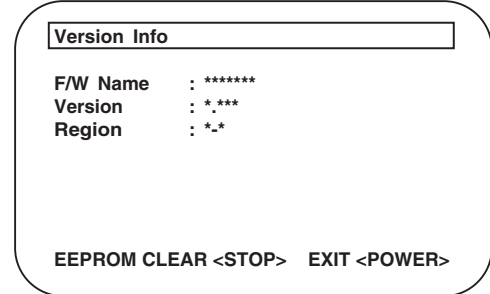
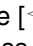

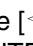

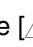


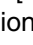


Fig. j

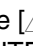

4. To exit this mode, press [POWER OFF] button.

## 10. FIRMWARE RENEWAL MODE (Network Update)

1. Press [SETUP] button on the remote control unit in stop mode.
2. Use [ / ] button to select "CUSTOM", then press [ENTER] button.
3. Use [ / ] button to select "Other", then press [ENTER] button.
4. Use [ / ] button to select "Network Update", then press [ENTER] button.  
Confirmation message will appear.
5. Use [ / ] button to select "Yes", then press [ENTER] button.  
This unit will start checking for the latest firmware version.

### NOTE:

If any error message concerning the network environment appears, please confirm the setting of your unit according to the error message. If you need to change any of your network environmental setting in order to execute the update, please contact to the internet service provider.

6. Confirmation message will appear.  
Use [ / ] button to select "Yes", then press [ENTER] button.  
The unit will start downloading the latest firmware version.
7. When the download completes, confirmation message will appear.  
Press [ENTER] button.  
The unit will start updating the firmware version. It may take a while to complete the updating. (Please wait until "100%" appears on the front panel display.)
8. After updating finishes, this unit will restart and open the disc tray automatically.

## How to Verify the Firmware Version

1. Turn the power on.
2. Remove the disc on the tray and close the tray.
3. Press [1], [2], [3], [4], and [DISPLAY] buttons on the remote control unit in that order.  
Fig. j appears on the screen.

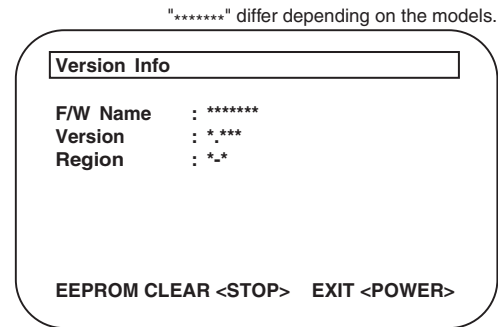


Fig. j

4. To exit this mode, press [POWER OFF] button.

## 11. SERVICE MODE

### Service Mode

1st level		2nd level		3rd level		Description
1	MECHA TEST	1	Tray Aging			Aging of tray open/close
		2	TOC Read			TOC reading
		3	Heat Run			Tray close -> TT1 playback -> TT10 playback -> Tray open -> Tray close
2	VFD/LED TEST	1	All On			Turning on all VFD
		2	All Off			Turning off all VFD
3	ERROR RATE					Displaying Error rate, Jitter during playback
4	LD TEST	1	LD Power	1	Off	Turning off LD
				2	BD	Turning on BD LD
				3	DVD	Turning on DVD LD
				4	CD	Turning on CD LD
		2	Operating Time			Displaying LD Operation Time (with clear function)
5	CHANNEL TEST	1	TEST TONE	1	Center/Subwoofer/ Front LR	
				2	Surround LR/ Surround Back LR	
		2	Front Lch			
		3	Center			
		4	Front Rch			
		5	Surround Rch			
		6	Surround Back Rch			
		7	Surround Back Lch			
		8	Surround Lch			
9	Sub woofer					
6	SD CARD TEST					
7	DEFAULT SETTING					Default setting

**Note:** If some test are performed continuously, any error will occur

**Entering Service Mode**

In power on condition, no discs and tray close, it will be entered into service mode by the following operation using the remote controller. However, it will not be entered when Media Select Item is SD Memory.

**Service Mode by using remote controller**

Press the following buttons on the remote controller in power on condition, no discs and tray close;

[2]->[5]->[8]->[0]->[CLEAR]

**Release from Service Mode**

Press the [POWER OFF] button to turn off power.

**Screen saver/Auto Power Off in Service Mode**

These functions are not performed in Service Mode.

After entering, Fig. k appears on the screen and Fig. l appears on the VFD.

\* Firmware Version differs depending on the models, and this indication is one example.

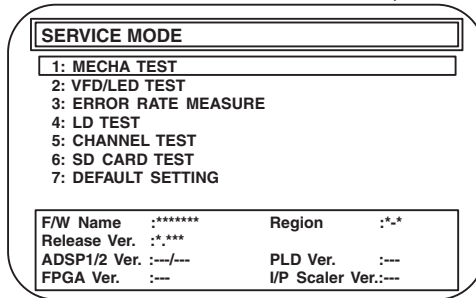


Fig. k Service Mode (Main Menu)



Fig. l Service Mode

Available button in service mode

Button	condition
ENTER	Enter the next level
POWER	Turn the power off (when the service mode is completed)
1~7	Enter the selected item (next level)
OTHER	Not available

**Note:** Press the number key to select items. Or, press the cursor button (up/down) to select items and press [ENTER] button.

INDICATION	DESCRIPTION	REMARK
F/W Name	Model Name	E5K***D, etc.
Region	BD region - DVD region	A-1, etc.
Release Ver.	Release version	D.jpp, etc.



## 12. TRAY LOCK MODE

Tray Lock Mode prevents the tray opening or closing to prevent disc theft in demo mode.

Enter this mode using the following procedure.

1. Confirm that the TV Monitor is connected.
2. With playback stopped, press [SETUP], [TOP MENU], [3], [AUDIO], [0] and [SETUP] buttons on the remote control unit in that order. "Trade-On" appears in the upper right corner on the screen, and Fig. a appears on the VFD for 2 seconds.



Fig. a

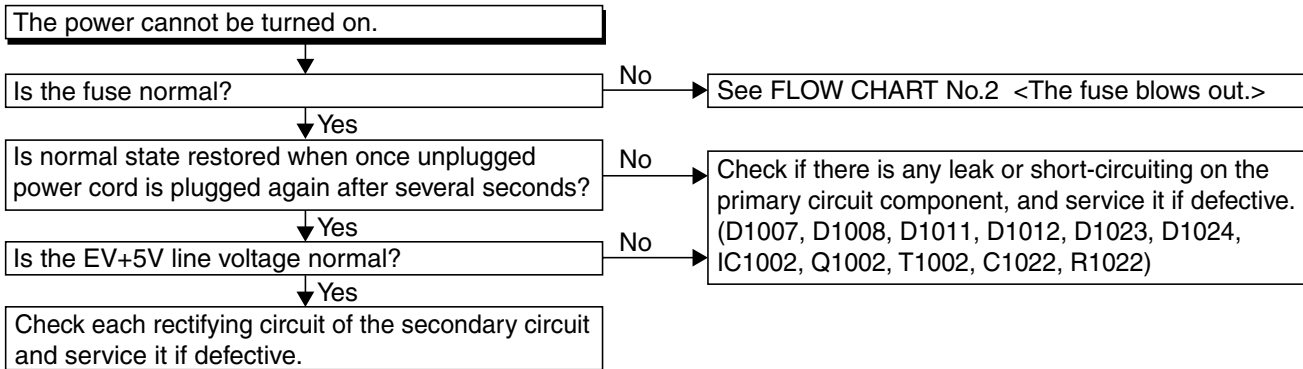
3. To exit this mode, press [SETUP], [TOP MENU], [3], [AUDIO], [0] and [SETUP] buttons on the remote control unit in that order. "Trade-Off" appears in the upper right corner on the screen, and Fig. b appears on the VFD for 2 seconds.



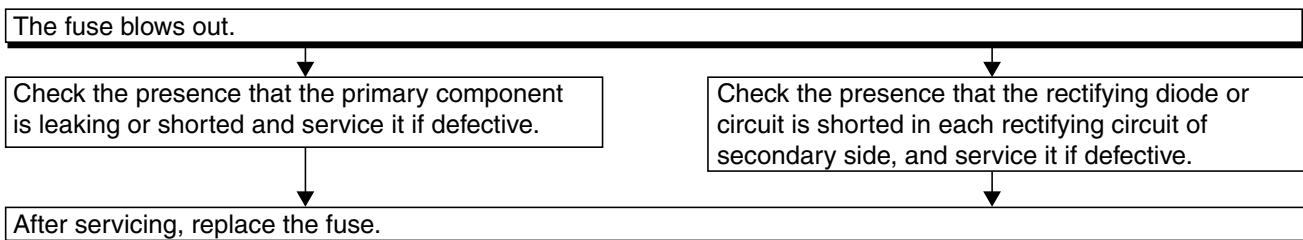
Fig. b

# 13. TROUBLESHOOTING

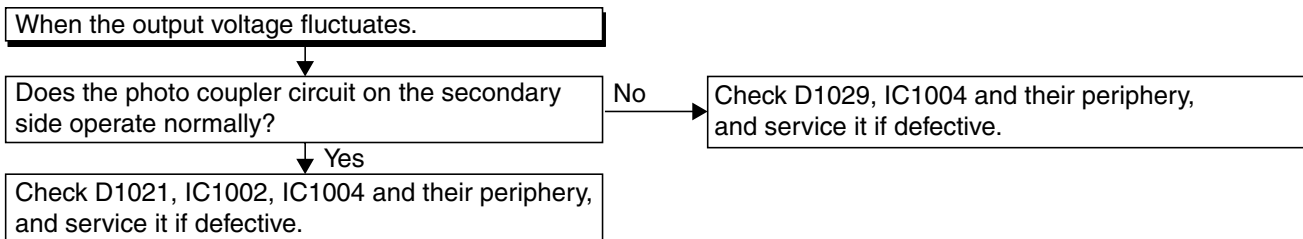
## FLOW CHART NO.1



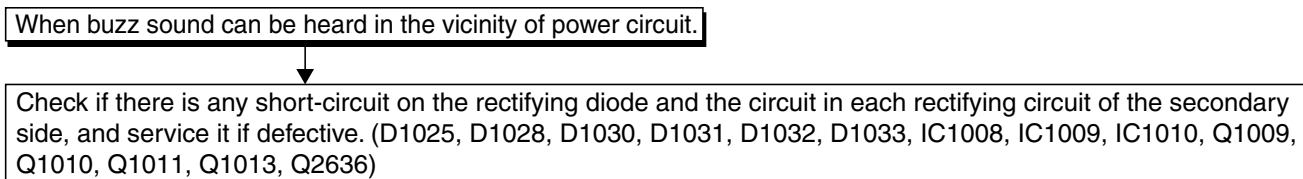
## FLOW CHART NO.2



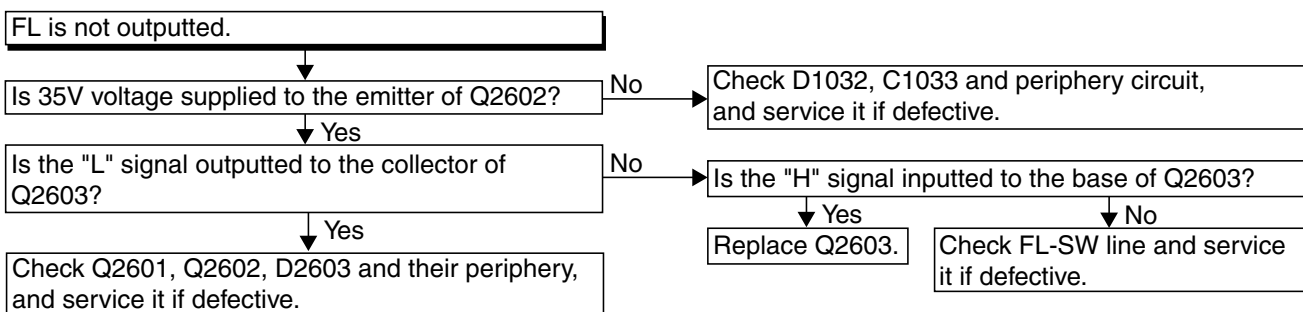
## FLOW CHART NO.3



## FLOW CHART NO.4



## FLOW CHART NO.5



**FLOW CHART NO.6**

P-ON+5V (1) is not outputted.

Is 5V voltage inputted to the emitter of Q1011?

No → Check D1025, D1030, D1031, C1029, C1034 and their periphery, and service it if defective.

Yes

Is 4.5V voltage inputted to the base of Q1011?

No → Check Q1007 and PWSW4 line and service it if defective.

Yes

Replace Q1011.

**FLOW CHART NO.7**

P-ON+5V (2) is not outputted.

Is 5V voltage inputted to the emitter of Q1009?

No → Check D1025, D1030, D1031, C1029, C1034 and their periphery, and service it if defective.

Yes

Is 4.5V voltage inputted to the base of Q1009?

No → Check Q1007 and PWSW4 line and service it if defective.

Yes

Replace Q1009.

**FLOW CHART NO.8**

P-ON+10.5V is not outputted.

Is 14V voltage inputted to the collector of Q1013?

No → Check D1029, D1041, C1026, L1004 and their periphery, and service it if defective.

Yes

Is 11V voltage inputted to the base of Q1013?

No → Is 14V voltage inputted to the base of Q1006?

Yes

Replace Q1013.

Yes → Check Q1006, D1046, and their periphery, and service it if defective.

No → Check Q1008, and PWSW4 line, and service it if defective.

**FLOW CHART NO.9**

P-ON+1.2V is not outputted.

Is 5V voltage supplied to Pin(3) of IC1009?

No → Check D1025, D1030, D1031, C1029, C1034 and their periphery, and service it if defective.

Yes

Is the "L" signal inputted to the base of Q1015?

No → Check PWSW2 line and service it if defective.

Yes

Check IC1009, Q1015 and their periphery, and service it if defective.

**FLOW CHART NO.10**

P-ON+3.3V is not outputted.

Is 5V voltage supplied to Pin(1) of IC1008?

No → Check D1025, D1030, D1031, C1029, C1034 and their periphery, and service it if defective.

Yes

Is "L" signal outputted to the collector of Q1005?

No → Check Q1005 and PWSW1 line and service it if defective.

Yes

Check IC1008, D1040 and their periphery circuit, and service it if defective.

**FLOW CHART NO.11**

P-ON+1.8V is not outputted.

Is 5V voltage inputted to Pin(3) of IC1010?

No

Check D1025, D1030, D1031, C1029, C1034 and their periphery, and service it if defective.

Yes

Is "L" signal outputted to the base of Q1016?

No

Check PWSW2 line and their periphery, and service it if defective.

Yes

Check IC1010, Q1016 and their periphery, and service it if defective.

**FLOW CHART NO.12**

P-ON+14.5V is not outputted.

Is 15V voltage inputted to the emitter of Q1010?

No

Check D1028, C1026, L1003 and their periphery, and service it if defective.

Yes

Is 14V voltage inputted to the base of Q1010?

No

Check Q1008 and PWSW4 line and service it if defective.

Yes

Replace Q1010.

**FLOW CHART NO.13**

The fluorescent display tube does not light up.

Is 3.3V voltage supplied to Pin(24) of FL3001?

No

Check the EV+3.3V line and service it if defective.

Yes

Is 9V voltage supplied to Pin(1,2) of FL3001?

No

Is 10V voltage supplied to the emitter of Q2604?

Yes

Yes

Is 9V voltage inputted to the base of Q2604?

Yes

Replace Q2604.

No

Check D1033, C1028, R1032, R1033 and their periphery, and service it if defective.

Check Q2603 and FL-SW line and service it if defective.

Is 5V voltage supplied to Pin(29,30) of FL3001?

No

Check the F2 line and service it if defective.

Yes

Replace FL3001.

**FLOW CHART NO.14**

The key operation is not functioning.

Are the contact point and the installation state of the key switches (SW3002, SW3004-SW3007, SW3105, SW3107, SW3109) normal?

No

Re-install the switches (SW3002, SW3004-SW3007, SW3105, SW3107, SW3109) correctly or replace the poor switch.

Yes

When pressing each switches (SW3002, SW3004-SW3007, SW3105, SW3107, SW3109), do the voltage of Pin(1, 62) of IC2000 increase?

No

Check the switches (SW3002, SW3004-SW3007, SW3105, SW3107, SW3109) and their periphery, and service it if defective.

Yes

Replace IC2000.

**FLOW CHART NO.15**

No operation is possible from the remote control unit.(Operation is possible from the unit.)

Is 5V voltage supplied to Pin(2) of RS3001 (remote control receiver) ?

No

Check EV+5V line and service it if defective.

Yes

Is the "L" pulse sent out Pin(1) of RS3001 (remote control receiver) when the remote control unit is activated?

No

Replace the RS3001 (remote control receiver) or remote control unit.

Yes

Is the "L" pulse inputted to the Pin(27) of IC2000?

No

Check the line between the RS3001 (remote control receiver) and the Pin(27) of IC2000, and service it if defective.

Yes

Replace IC2000.

**FLOW CHART NO.16**

The disc tray cannot be opened and closed. (It can be done using the remote control unit.)

Is the normal control voltage inputted to Pin(62) of IC2000? Refer to "FLOW CHART NO.14" <The key operation is not functioning.>

No

Replace the "OPEN/CLOSE" switch (SW3101).

Yes

Replace the BD Main CBA & BD Mechanism Assembly.

**FLOW CHART NO.17**

The disc tray cannot be opened and closed.  
[No Disc] indicated.  
Both functions of picture and sound do not operate normally.

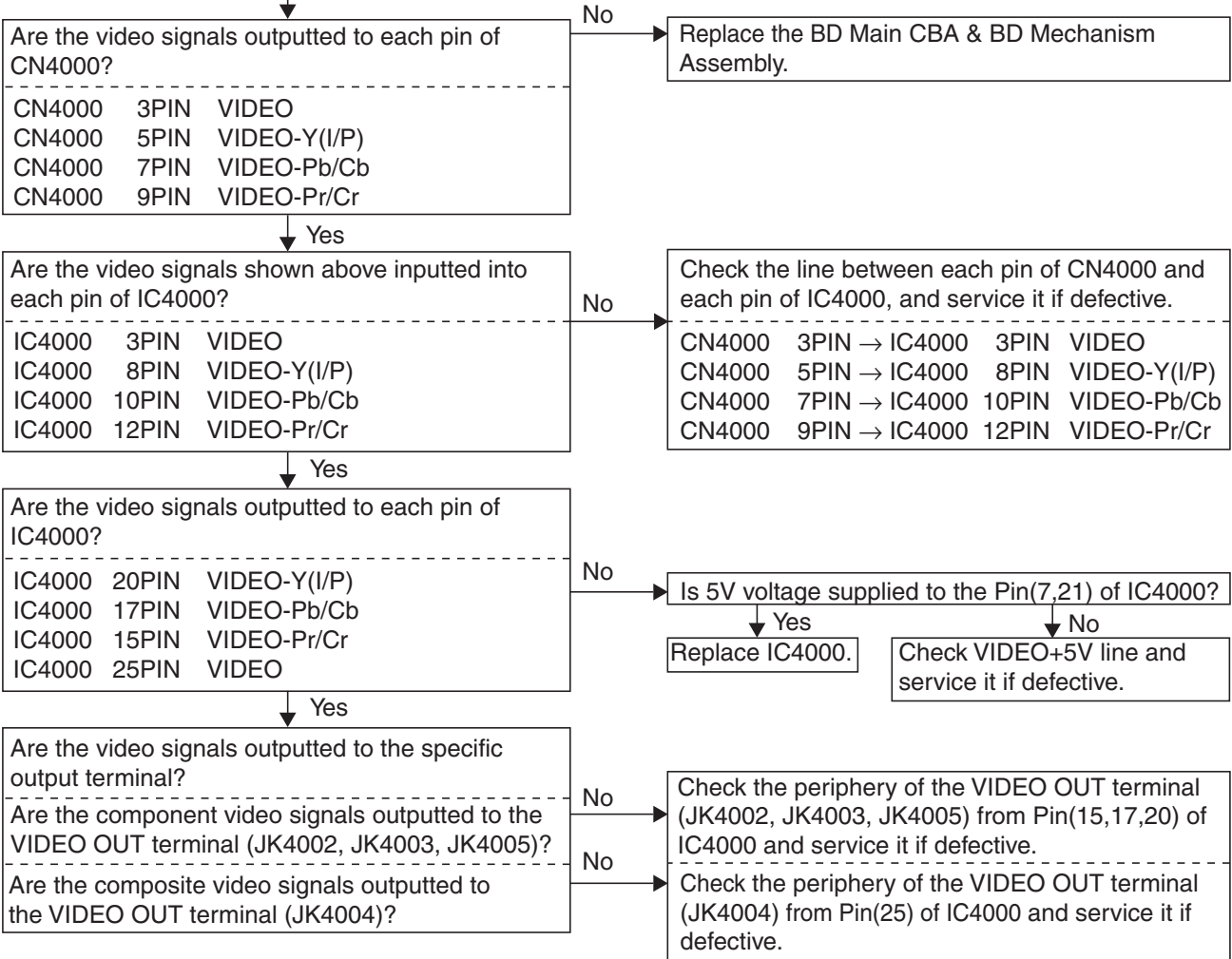
Yes

Replace the BD Main CBA & BD Mechanism Assembly.

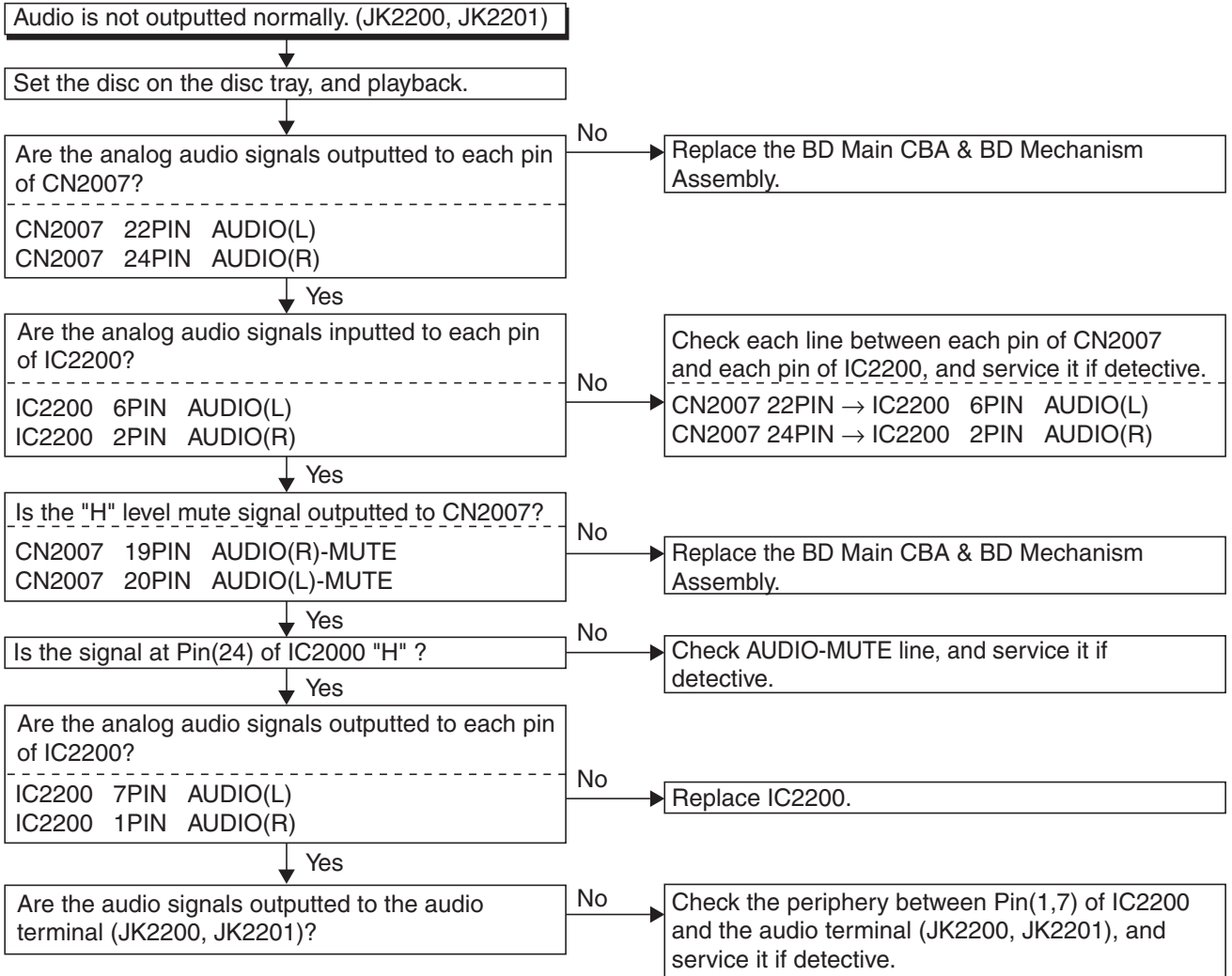
**FLOW CHART NO.18**

Picture does not appear normally.

Set the disc on the disc tray, and playback.



**FLOW CHART NO.19**



**FLOW CHART NO.20**

Audio is not outputted. (JK2202, JK2203)

Set the disc (with 7.1ch Audio) on the disc tray, and playback.

Are the analog audio signals outputted to each pin of CN2007?

---

CN2007 15PIN FRONT-AUDIO(L)  
 CN2007 17PIN FRONT-AUDIO(R)  
 CN2007 5PIN SURROUND(L)  
 CN2007 7PIN SURROUND(R)  
 CN2007 3PIN SURROUND BACK(L)  
 CN2007 1PIN SURROUND BACK(R)  
 CN2007 12PIN CENTER  
 CN2007 10PIN SUB WOOFER

No → Replace the BD Main CBA & BD Mechanism Assembly.

Yes

Are the analog audio signals inputted to each pin of IC2601, IC2602, IC2603 and IC2604?

---

IC2601 2, 6PIN FRONT-AUDIO(L/R)  
 IC2603 2, 6PIN SURROUND(L/R)  
 IC2604 2, 6PIN SURROUND BACK(L/R)  
 IC2602 2, 6PIN CENTER/SUB WOOFER

No → Check each line between each pin of CN2007 and each pin of IC2601, IC2602, IC2603 and IC2604 and service it if defective.  
 CN2007 15,17PIN → IC2601 2,6PIN FRONT-AUDIO(L/R)  
 CN2007 5,7PIN → IC2603 2,6PIN SURROUND(L/R)  
 CN2007 1,3PIN → IC2604 2,6PIN SURROUND BACK(L/R)  
 CN2007 10,12PIN → IC2602 2,6PIN CENTER/SUB WOOFER

Yes

Are the analog audio signals outputted to each pin of IC2601, IC2602, IC2603 and IC2604?

---

IC2601 1,7PIN FRONT-AUDIO(L/R)  
 IC2603 1,7PIN SURROUND(L/R)  
 IC2604 1,7PIN SURROUND BACK(L/R)  
 IC2602 1,7PIN CENTER/SUB WOOFER

No → Replace ICs (IC2601, IC2602, IC2603 or IC2604).

Yes

Do the mute signals of CN2007 become to "H" level?

---

FRONT-AUDIO(L) → CN2007 14PIN  
 FRONT-AUDIO(R) → CN2007 18PIN  
 SURROUND(L/R) → CN2007 8PIN  
 SURROUND BACK(L/R) → CN2007 4PIN  
 CENTER → CN2007 13PIN  
 SUB WOOFER → CN2007 9PIN

No → Replace the BD Main CBA & BD Mechanism Assembly.

Yes

Is the analog audio signal of each line outputted to each terminal of JK2202 and JK2203 (as shown below) ?

---

IC2601 7PIN → JK2202 FRONT-AUDIO(L)  
 IC2601 1PIN → JK2202 FRONT-AUDIO(R)  
 IC2603 7PIN → JK2202 SURROUND(L)  
 IC2603 1PIN → JK2202 SURROUND(R)  
 IC2604 7PIN → JK2203 SURROUND BACK(L)  
 IC2604 1PIN → JK2203 SURROUND BACK(R)  
 IC2602 7PIN → JK2202 SUB WOOFER  
 IC2602 1PIN → JK2202 CENTER

No → Check each line and service it if defective.



## BD Mechanism Replacement Guidelines

The guidelines describe how to determine whether a BD Mechanism Assembly is defective or not. Confirm that the malfunction is eliminated after replacing the defective BD Mechanism Assembly with a new one.

\*The BD Mechanism Assembly shall be acceptable when the following test disc can be played successfully;

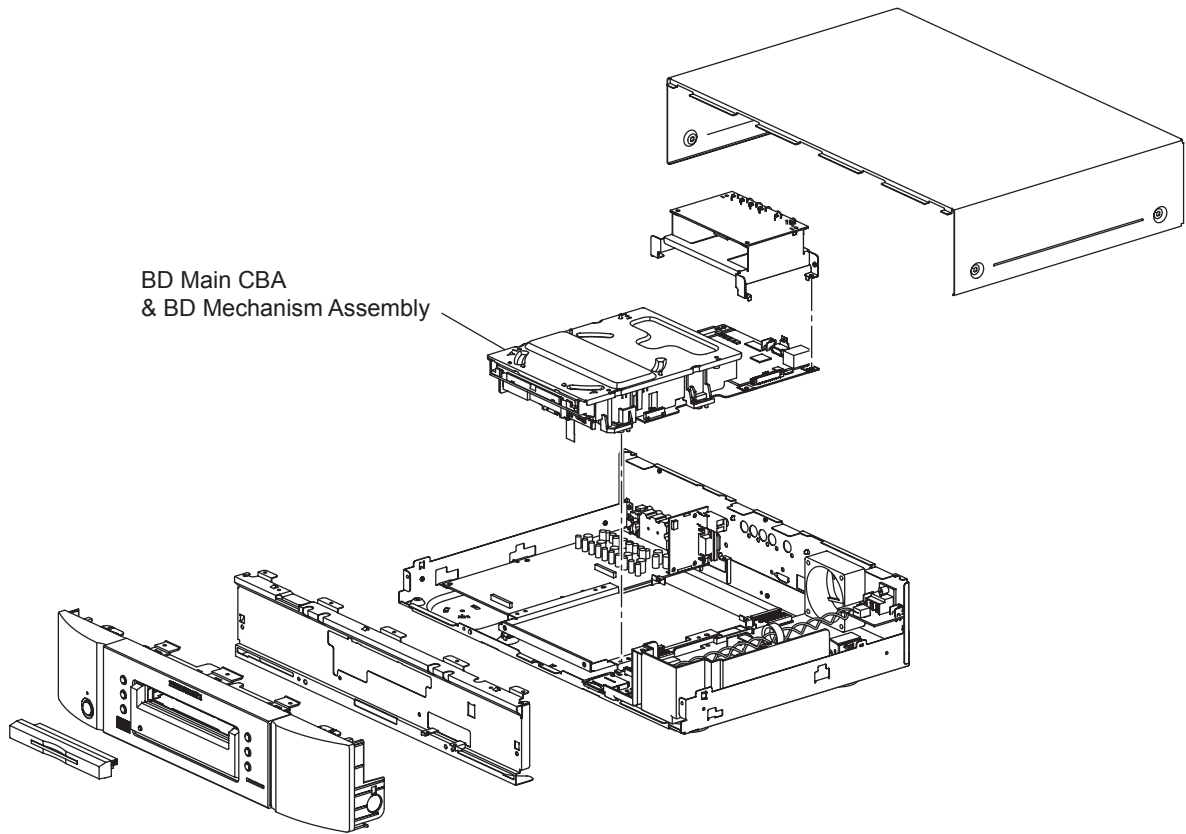
BD-ROM	BLX-201S3(SONY) chp12
--------	-----------------------

\*Select [4: LD Test] and select [2: Operating Time] in Service Mode.

If the Operating Time shows 3,000 hours or more, the BD Mechanism Assembly shall be determined that it has reached the end of its life.

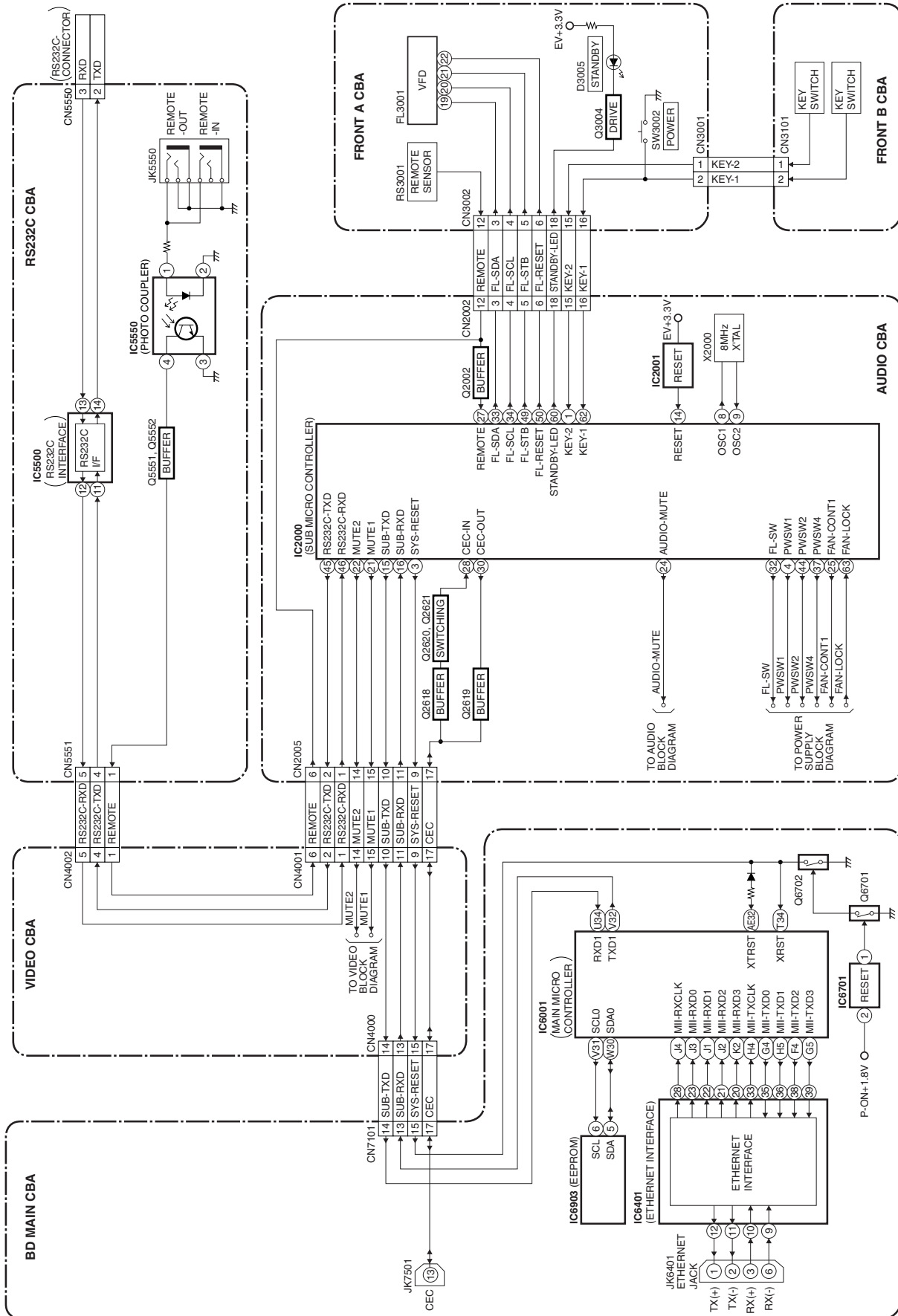
### Replacement of BD Main CBA & BD Mechanism Assembly

1. Remove the Top Cover, Tray Panel, Front Assembly, Front Bracket, Video CBA and AV PCB Holder.
2. Disconnect Connectors and replace the BD Main CBA & BD Mechanism Assembly.  
Refer to CABINET DISASSEMBLY INSTRUCTIONS.

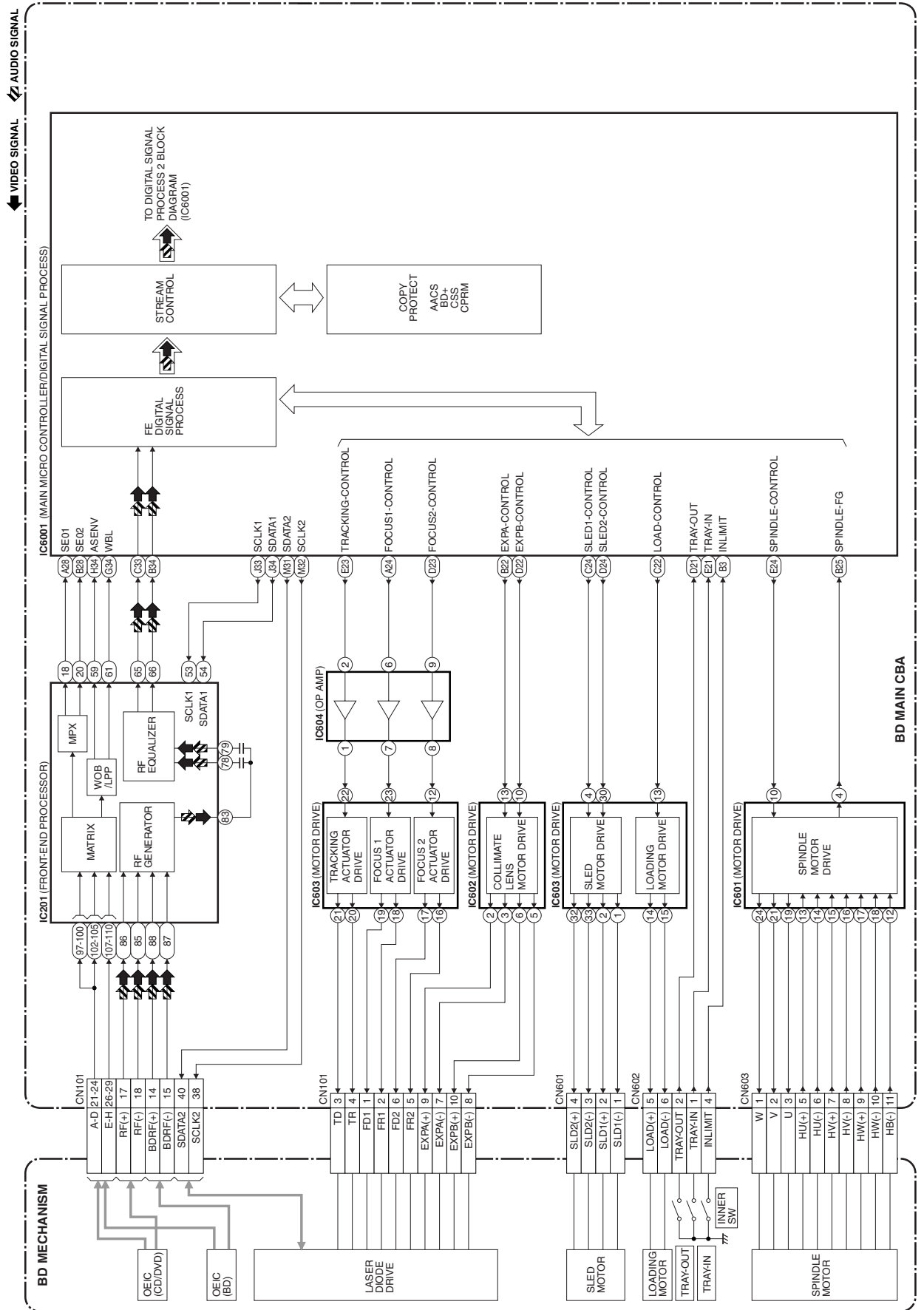


# 14. BLOCK DIAGRAMS

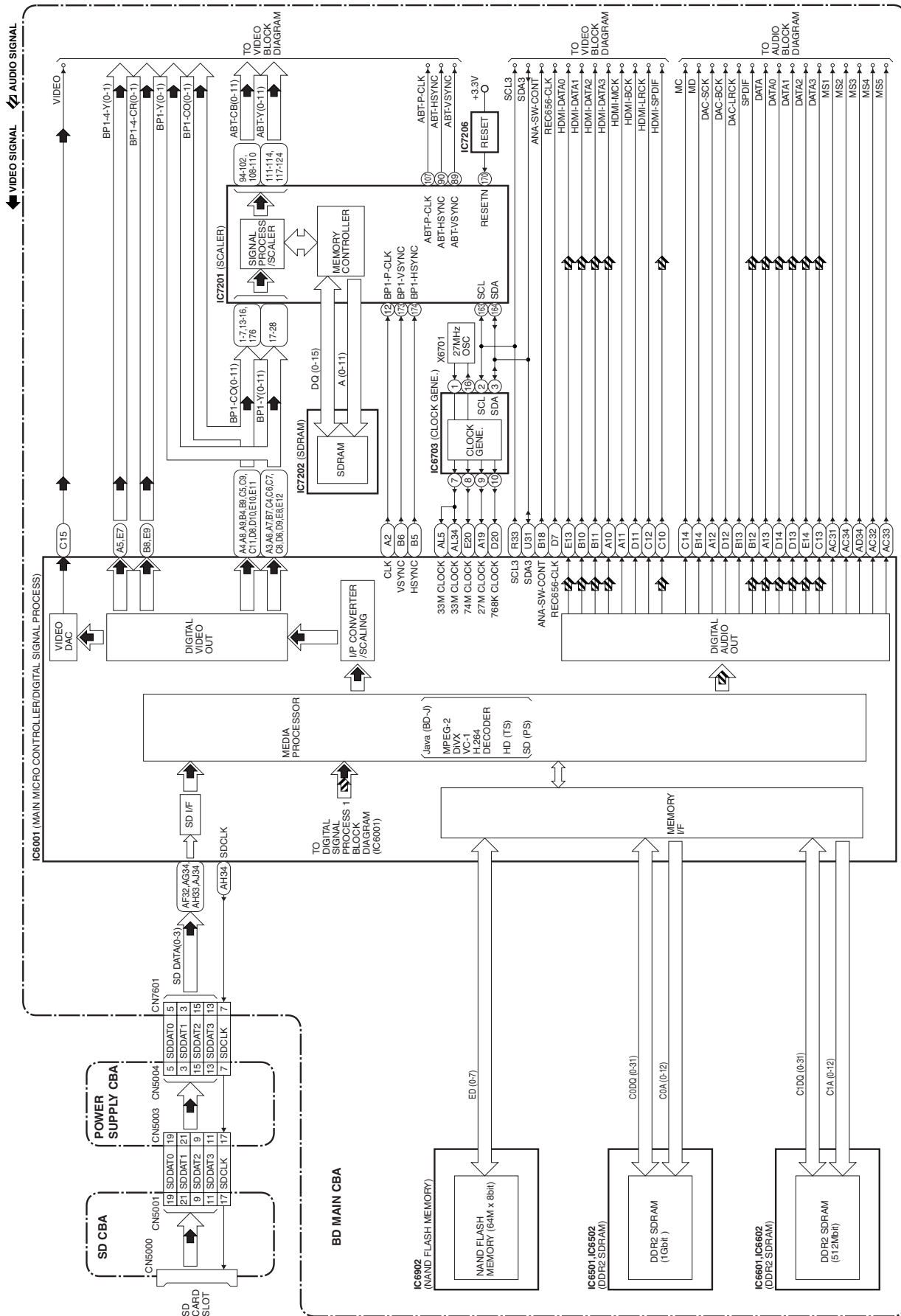
## System Control Block Diagram



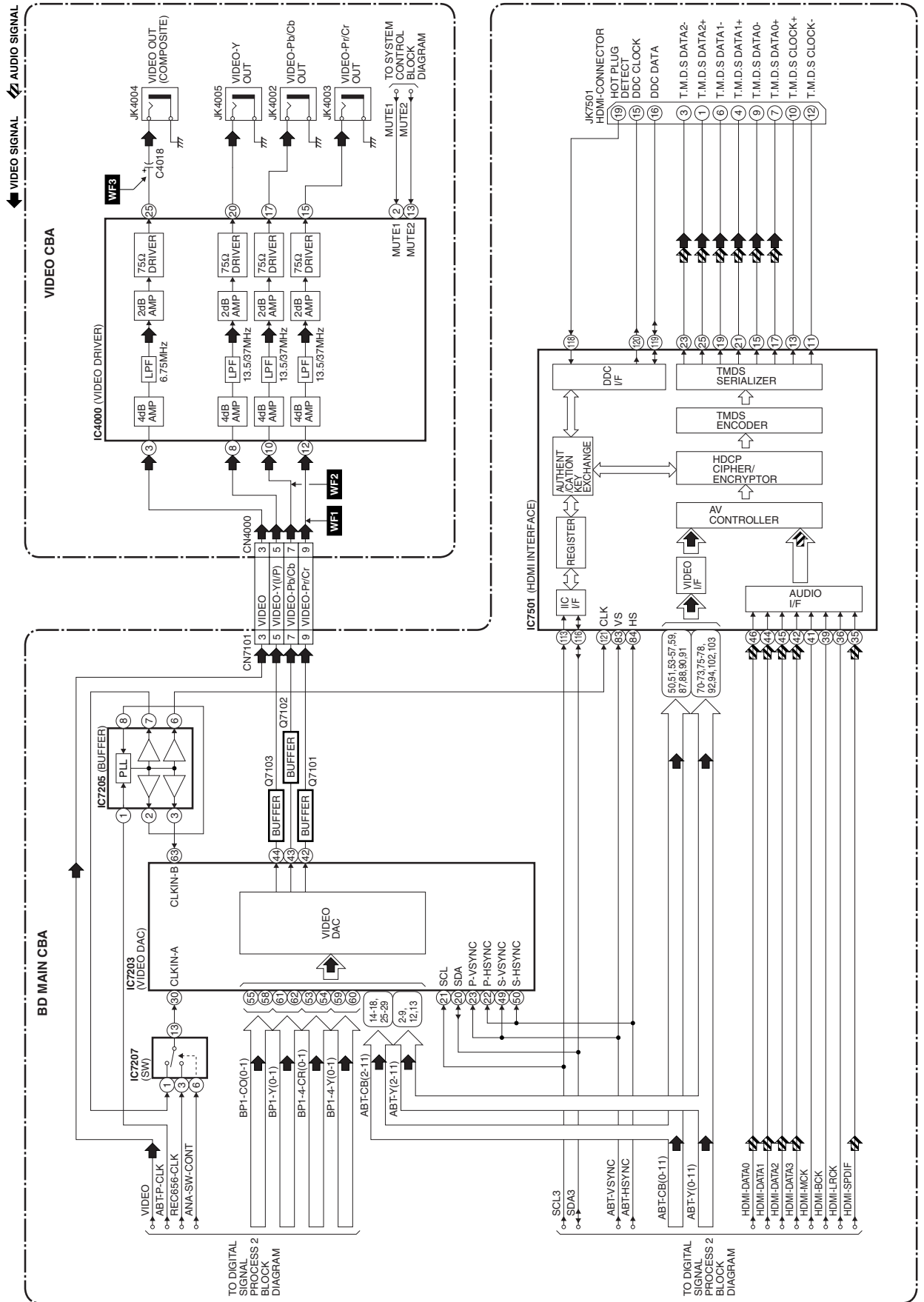
# Digital Signal Process 1 Block Diagram



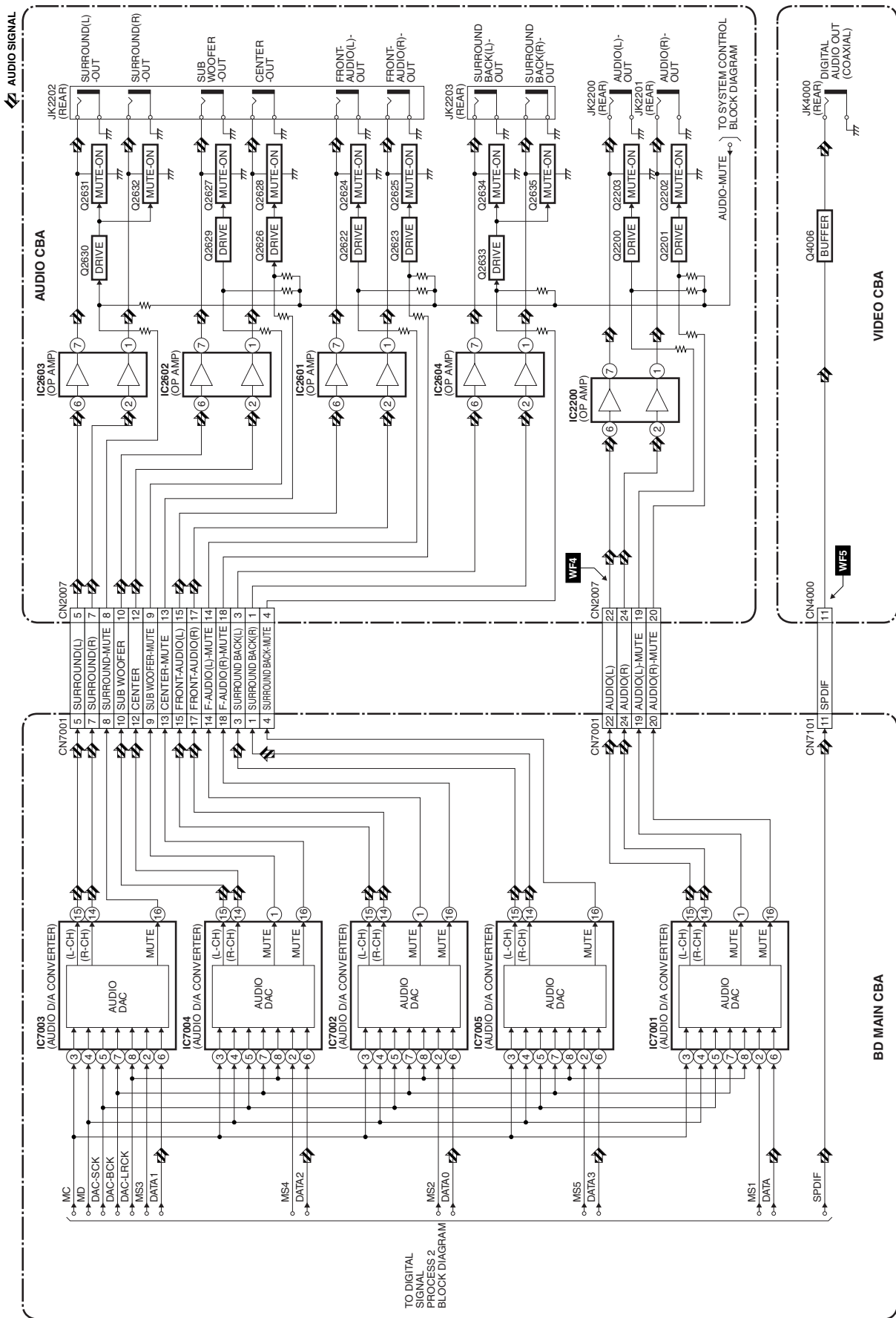
# Digital Signal Process 2 Block Diagram



# Video Block Diagram



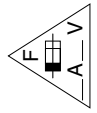
# Audio Block Diagram



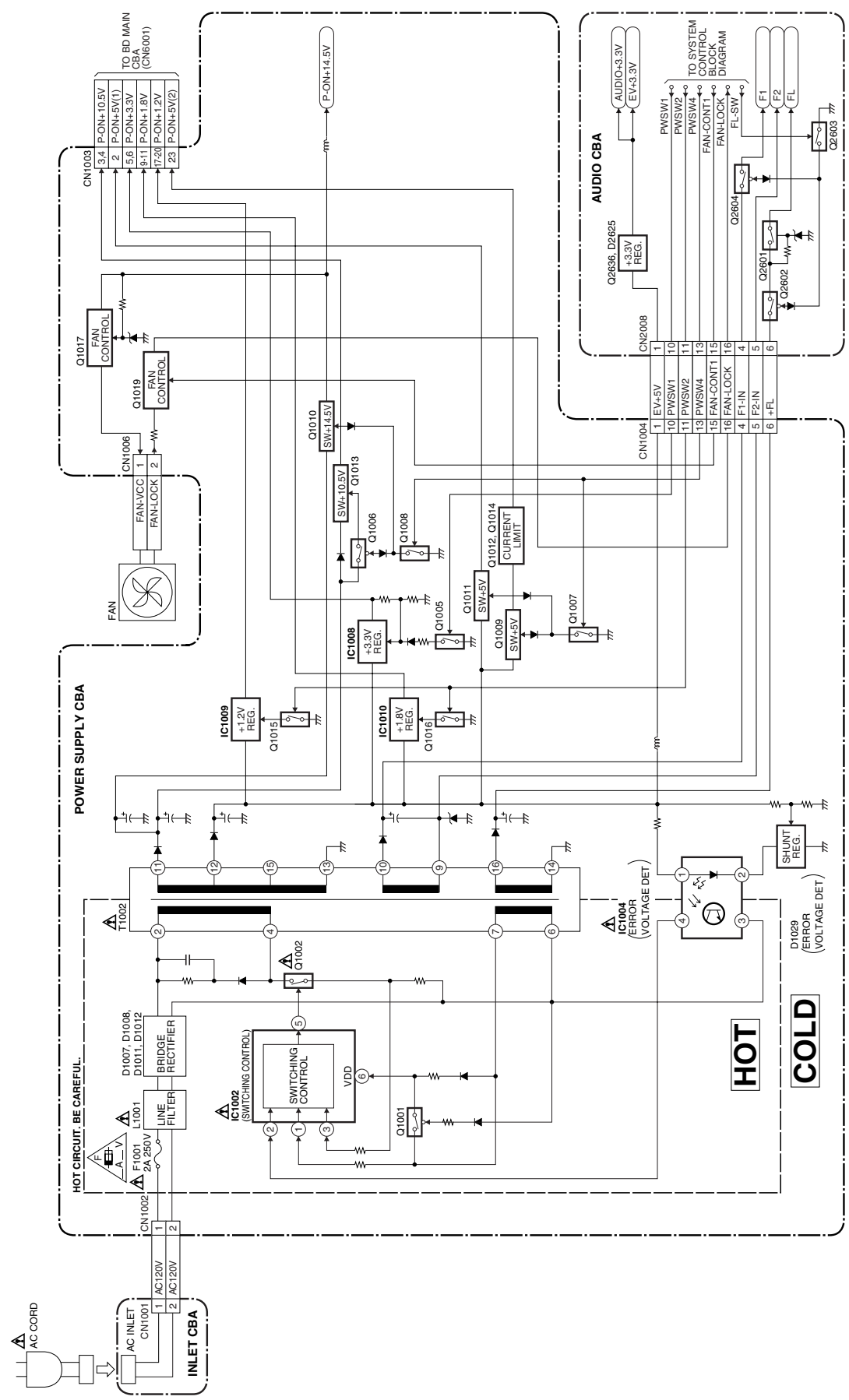
# Power Supply Block Diagram

**CAUTION !**  
Fixed voltage (or Auto voltage selectable) power supply circuit is used in this unit.  
If Main Fuse (F1001) is blown, check to see that all components in the power supply circuit are not defective before you connect the AC plug to the AC power supply.  
Otherwise it may cause some components in the power supply circuit to fail.

**CAUTION !**  
For continued protection against fire hazard, replace only with the same type fuse.  
ATTENTION : Pour une protection continue les risques d'incendie n'utiliser que des fusibles de même type.  
**Risk of fire**-replace fuse as marked.  
"This symbol means fast operating fuse."  
"Ce symbole représente un fusible à fusion rapide."




**CAUTION !**  
The voltage for parts in hot circuit is measured using hot GND as a common terminal.



## 15. SCHEMATIC DIAGRAMS / CBA AND TEST POINTS

### Standard Notes

#### WARNING

Many electrical and mechanical parts in this chassis have special characteristics. These characteristics often pass unnoticed and the protection afforded by them cannot necessarily be obtained by using replacement components rated for higher voltage, wattage, etc. Replacement parts that have these special safety characteristics are identified in this manual and its supplements; electrical components having such features are identified by the mark “” in the schematic diagram and the parts list. Before replacing any of these components, read the parts list in this manual carefully. The use of substitute replacement parts that do not have the same safety characteristics as specified in the parts list may create shock, fire, or other hazards.

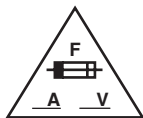
#### Notes:

1. Do not use the part number shown on these drawings for ordering. The correct part number is shown in the parts list, and may be slightly different or amended since these drawings were prepared.
2. All resistance values are indicated in ohms (K =  $10^3$ , M =  $10^6$ ).
3. Resistor wattages are 1/4W or 1/6W unless otherwise specified.
4. All capacitance values are indicated in  $\mu\text{F}$  (P =  $10^{-6}$   $\mu\text{F}$ ).
5. All voltages are DC voltages unless otherwise specified.V



# LIST OF CAUTION, NOTES, AND SYMBOLS USED IN THE SCHEMATIC DIAGRAMS ON THE FOLLOWING PAGES:

## 1. CAUTION:



FOR CONTINUED PROTECTION AGAINST FIRE HAZARD, REPLACE ONLY WITH THE SAME TYPE FUSE.  
 ATTENTION: POUR UNE PROTECTION CONTINUE LES RISQUES D'INCELE N'UTILISER QUE DES FUSIBLE DE MÊME TYPE.  
 RISK OF FIRE-REPLACE FUSE AS MARKED.



This symbol means fast operating fuse.  
 Ce symbole représente un fusible à fusion rapide.

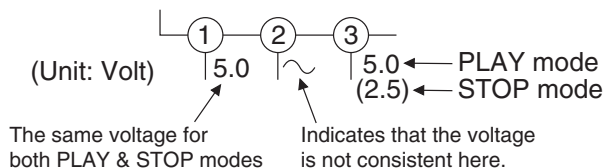
## 2. CAUTION:

Fixed Voltage (or Auto voltage selectable) power supply circuit is used in this unit.  
 If Main Fuse (F1001) is blown, first check to see that all components in the power supply circuit are not defective before you connect the AC plug to the AC power supply. Otherwise it may cause some components in the power supply circuit to fail.

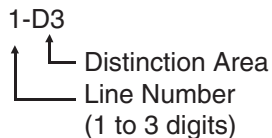
## 3. Note:

- Do not use the part number shown on the drawings for ordering. The correct part number is shown in the parts list, and may be slightly different or amended since the drawings were prepared.
- To maintain original function and reliability of repaired units, use only original replacement parts which are listed with their part numbers in the parts list section of the service manual.

## 4. Voltage indications for PLAY and STOP mode on the schematics are as shown below:

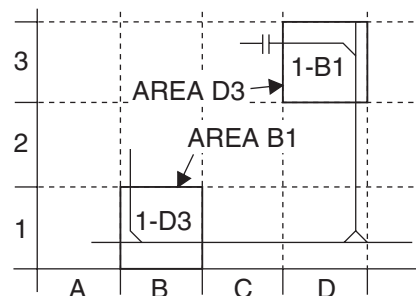


## 5. How to read converged lines



Examples:

- "1-D3" means that line number "1" goes to the line number "1" of the area "D3".
- "1-B1" means that line number "1" goes to the line number "1" of the area "B1".



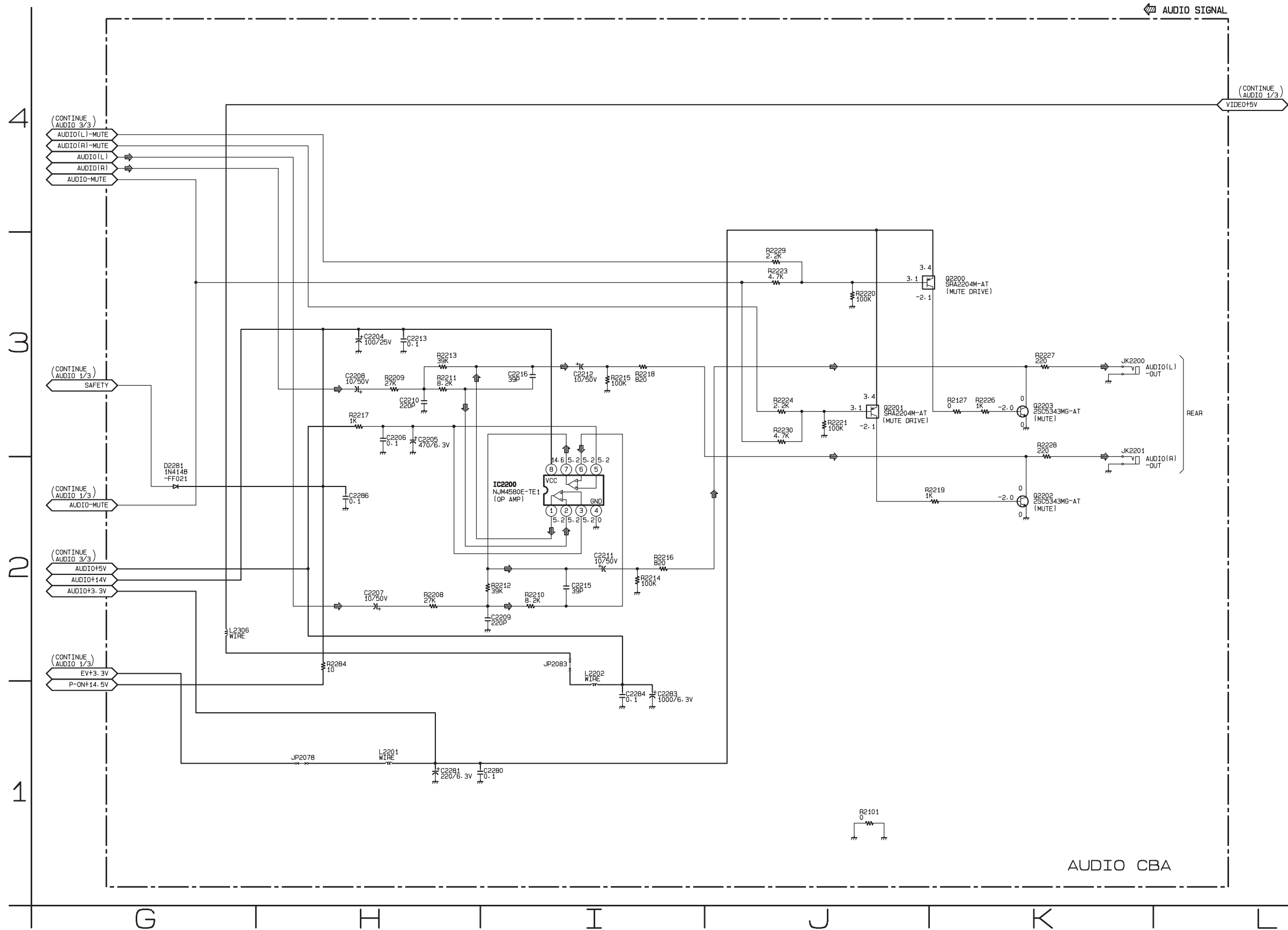
## 6. Test Point Information

- : Indicates a test point with a jumper wire across a hole in the PCB.
- : Used to indicate a test point with a component lead on foil side.
- : Used to indicate a test point with no test pin.
- : Used to indicate a test point with a test pin.



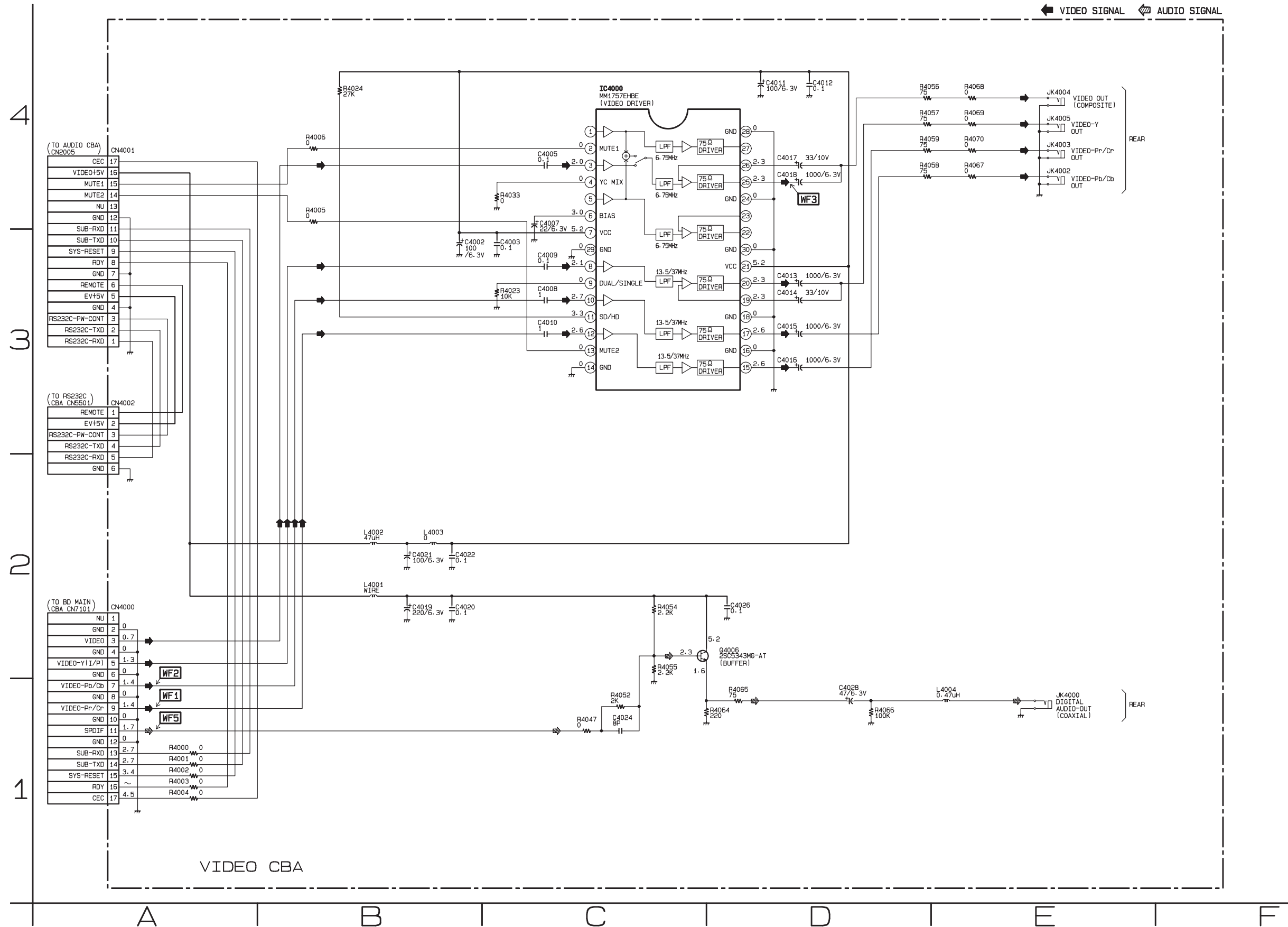


# Audio 2/3 Schematic Diagram



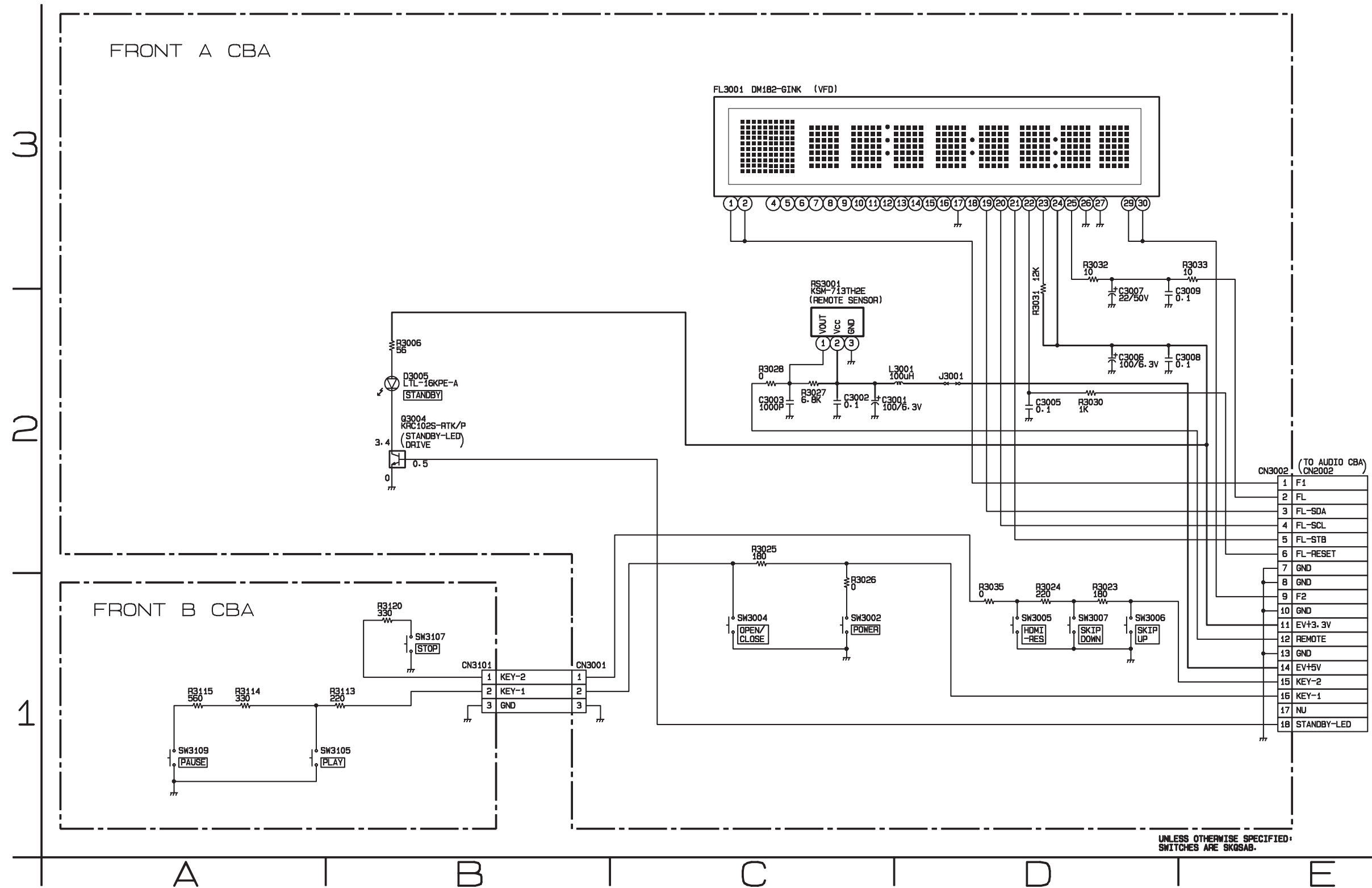


# Video Schematic Diagram



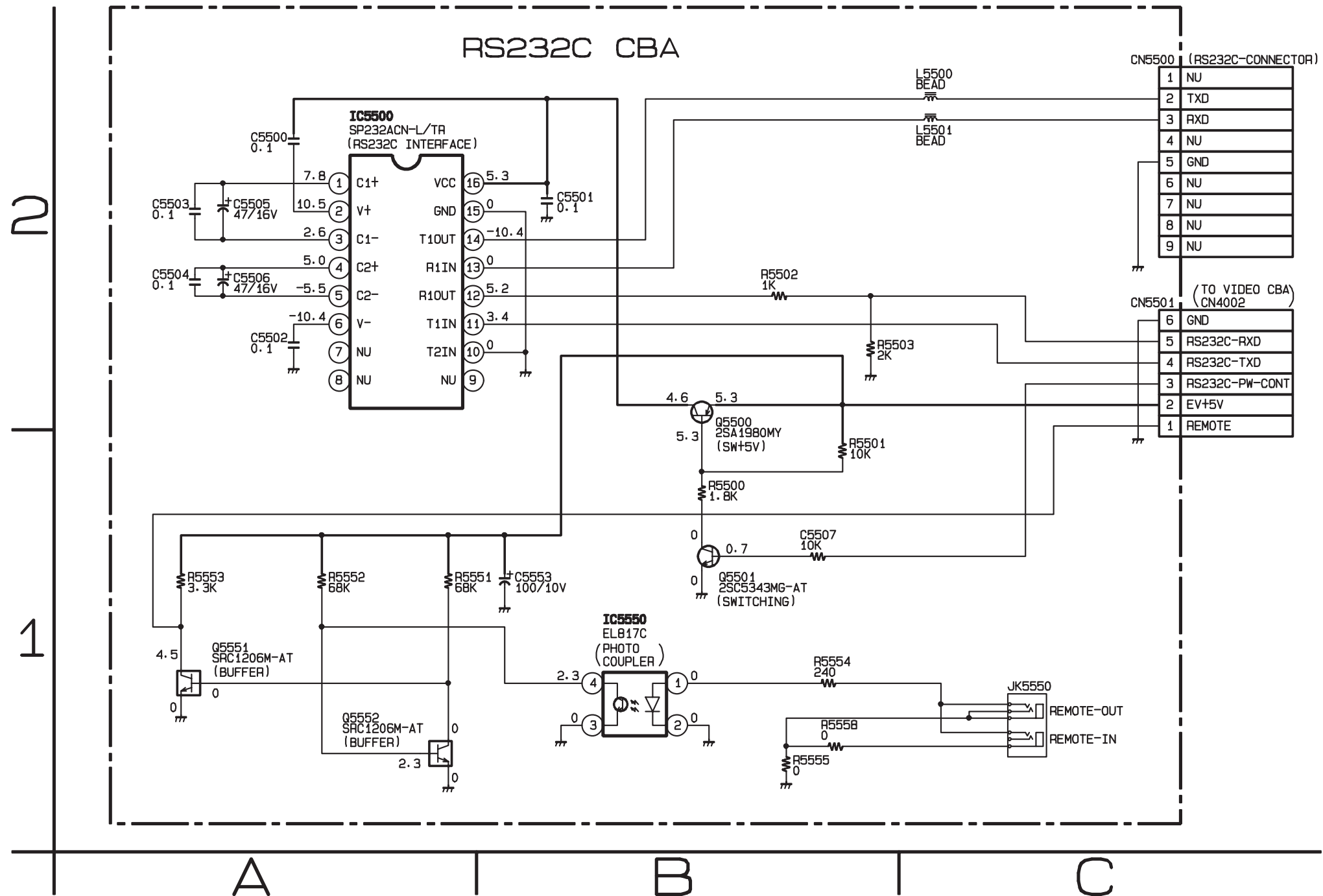


# Front A & Front B Schematic Diagram

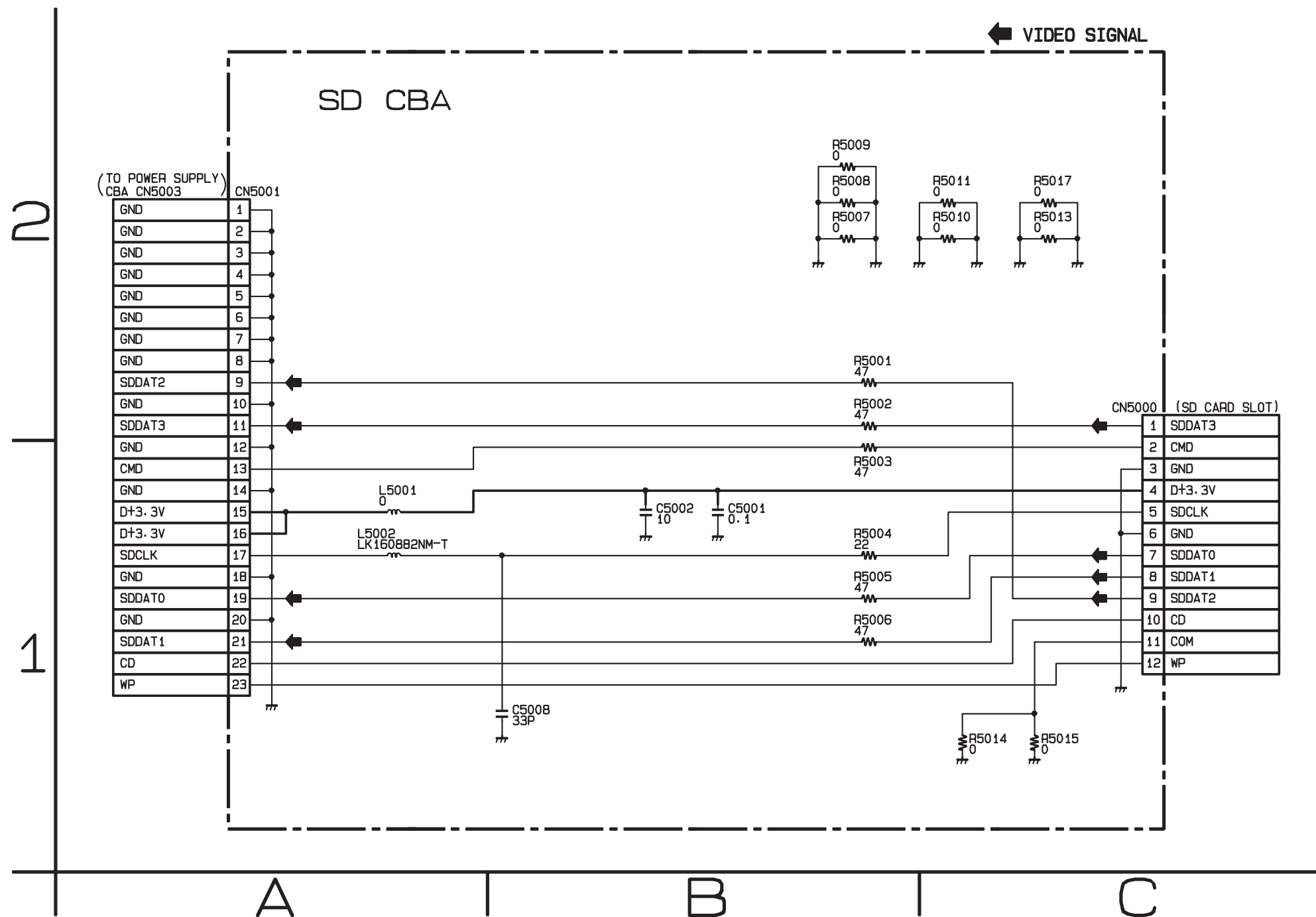




# RS232C Schematic Diagram

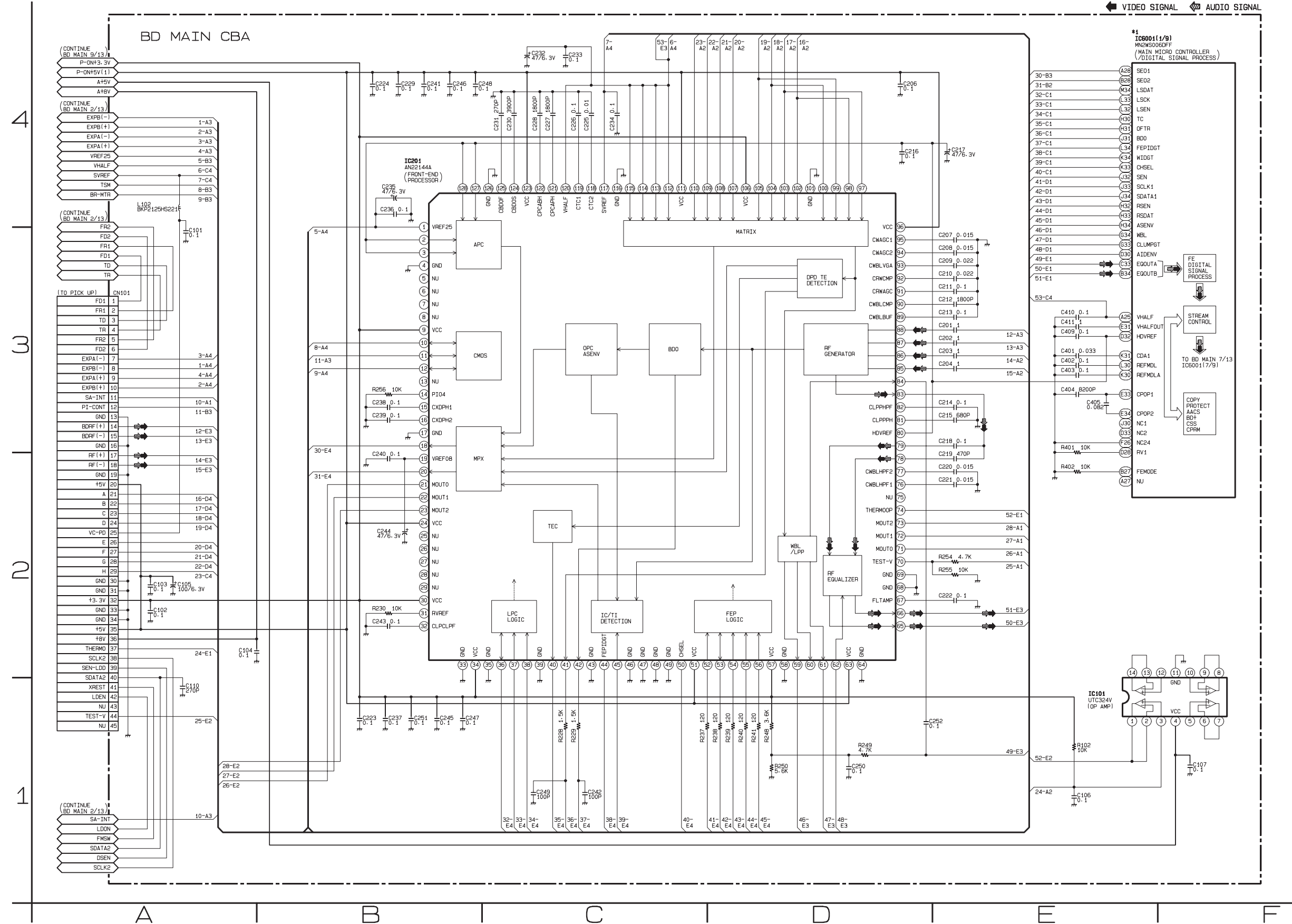


# SD Schematic Diagram



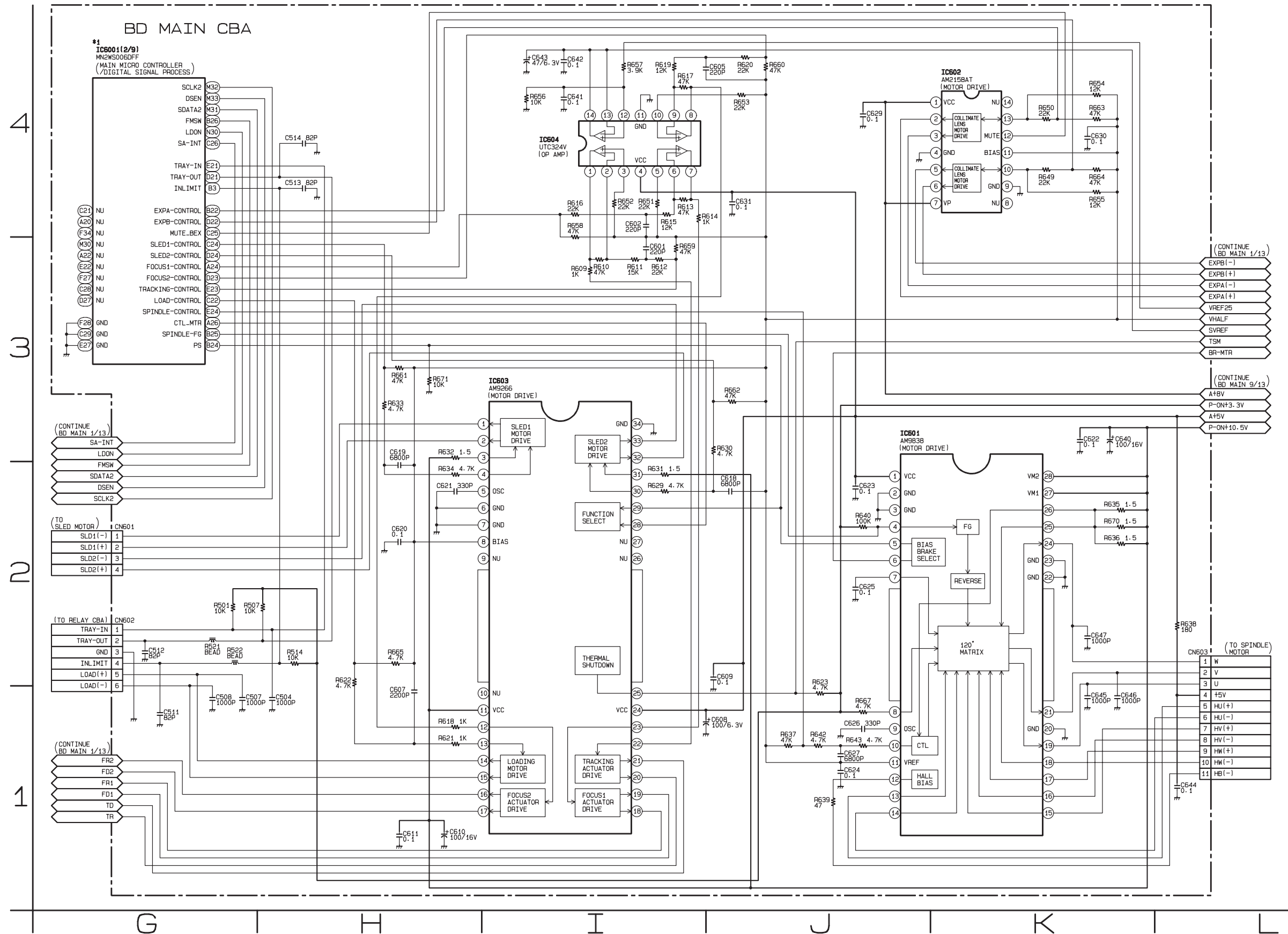
# BD Main 1/13 Schematic Diagram

**\*1 NOTE:**  
 The order of pins shown in this diagram is different from that of actual IC6001.  
 IC6001 is divided into nine and shown as IC6001 (1/9) ~ IC6001 (9/9) in this BD Main Schematic Diagram Section.



# BD Main 2/13 Schematic Diagram

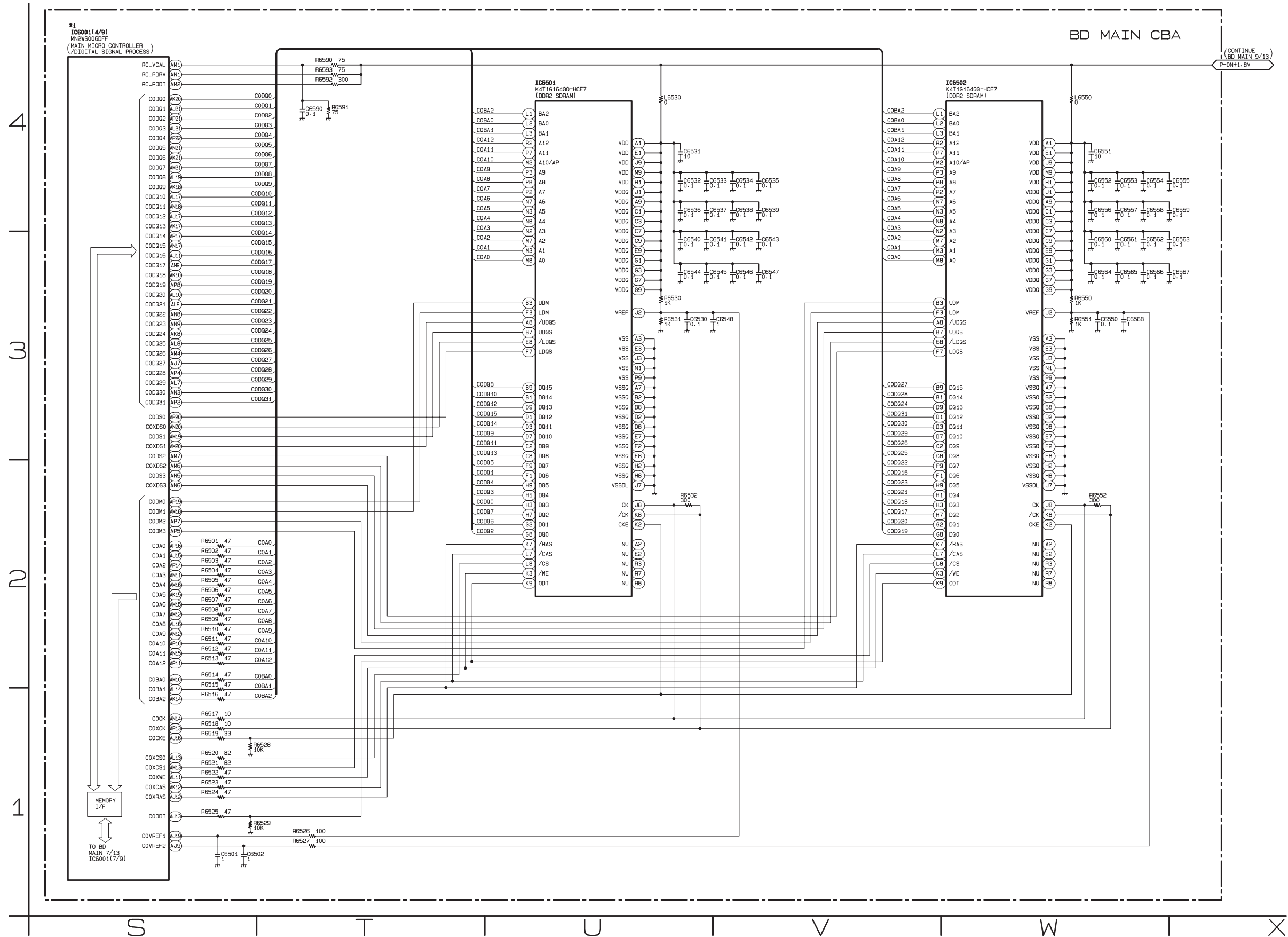
\*1 NOTE:  
 The order of pins shown in this diagram is different from that of actual IC6001.  
 IC6001 is divided into nine and shown as IC6001 (1/9) ~ IC6001 (9/9) in this BD Main Schematic Diagram Section.





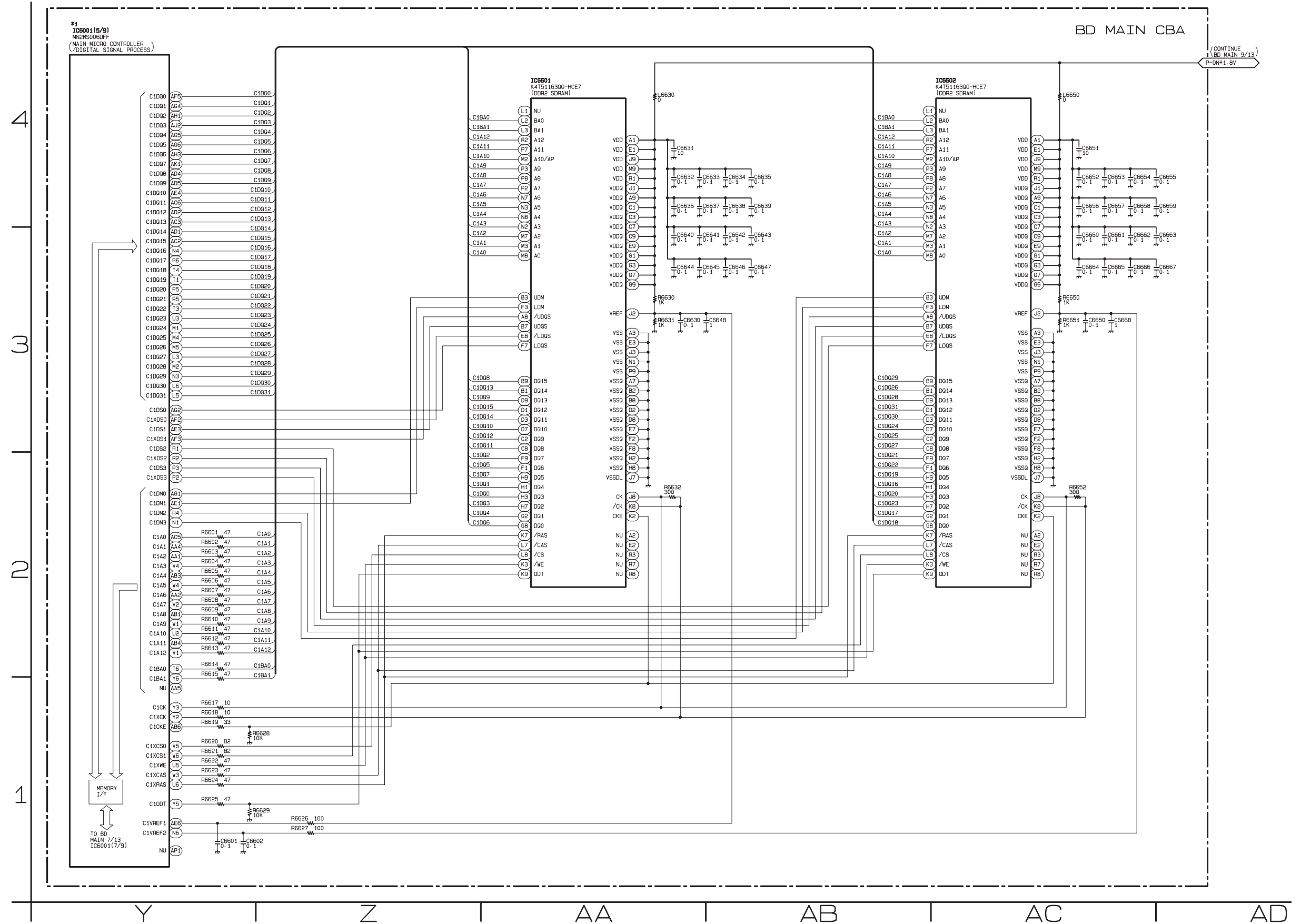
# BD Main 4/13 Schematic Diagram

**\*1 NOTE:**  
 The order of pins shown in this diagram is different from that of actual IC6001.  
 IC6001 is divided into nine and shown as IC6001 (1/9) ~ IC6001 (9/9) in this BD Main Schematic Diagram Section.



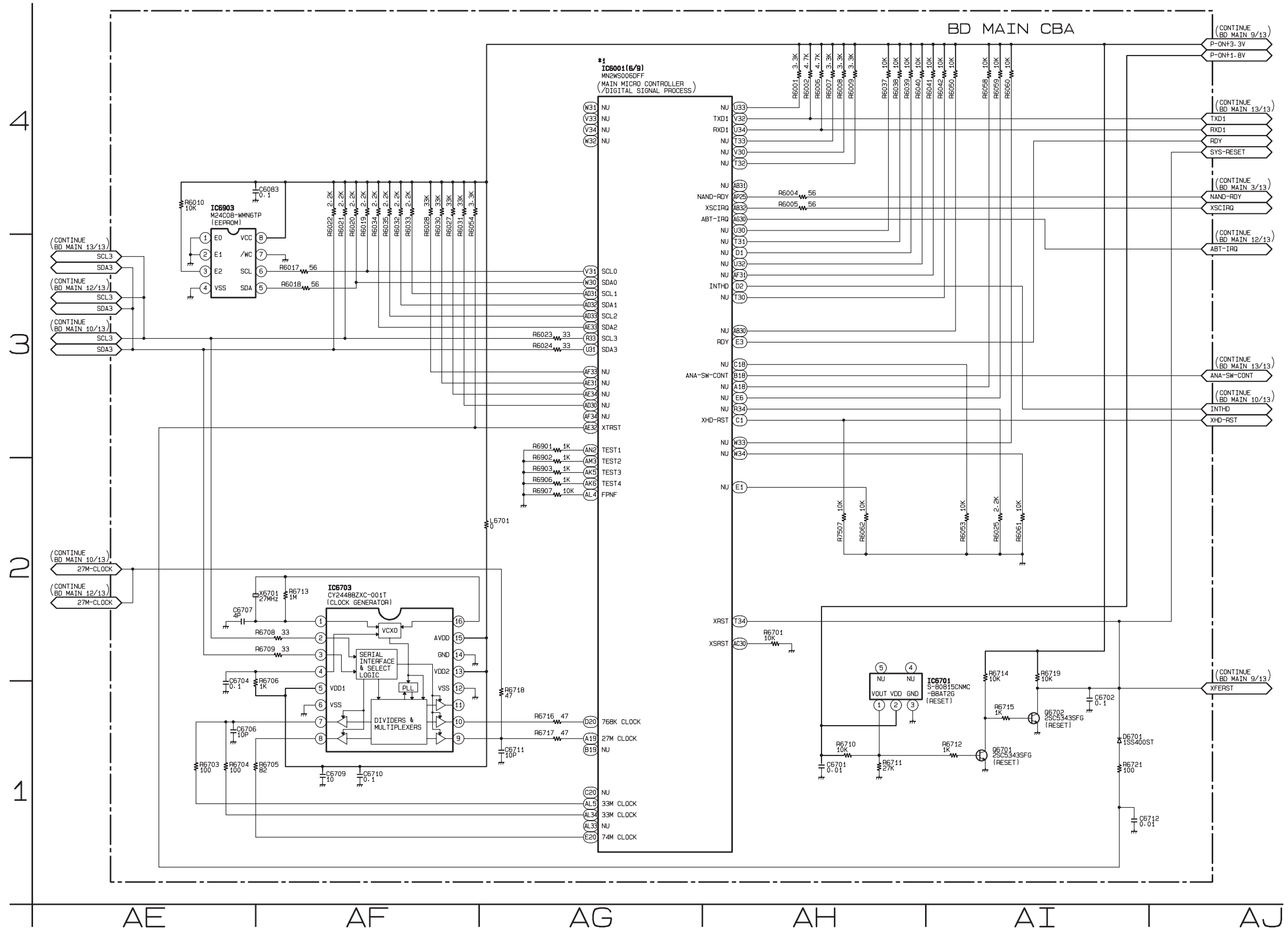
# BD Main 5/13 Schematic Diagram

**\*1 NOTE:**  
 The order of pins shown in this diagram is different from that of actual IC6001.  
 IC6001 is divided into nine and shown as IC6001 (1/9) ~ IC6001 (9/9) in this BD Main Schematic Diagram Section.



# BD Main 6/13 Schematic Diagram

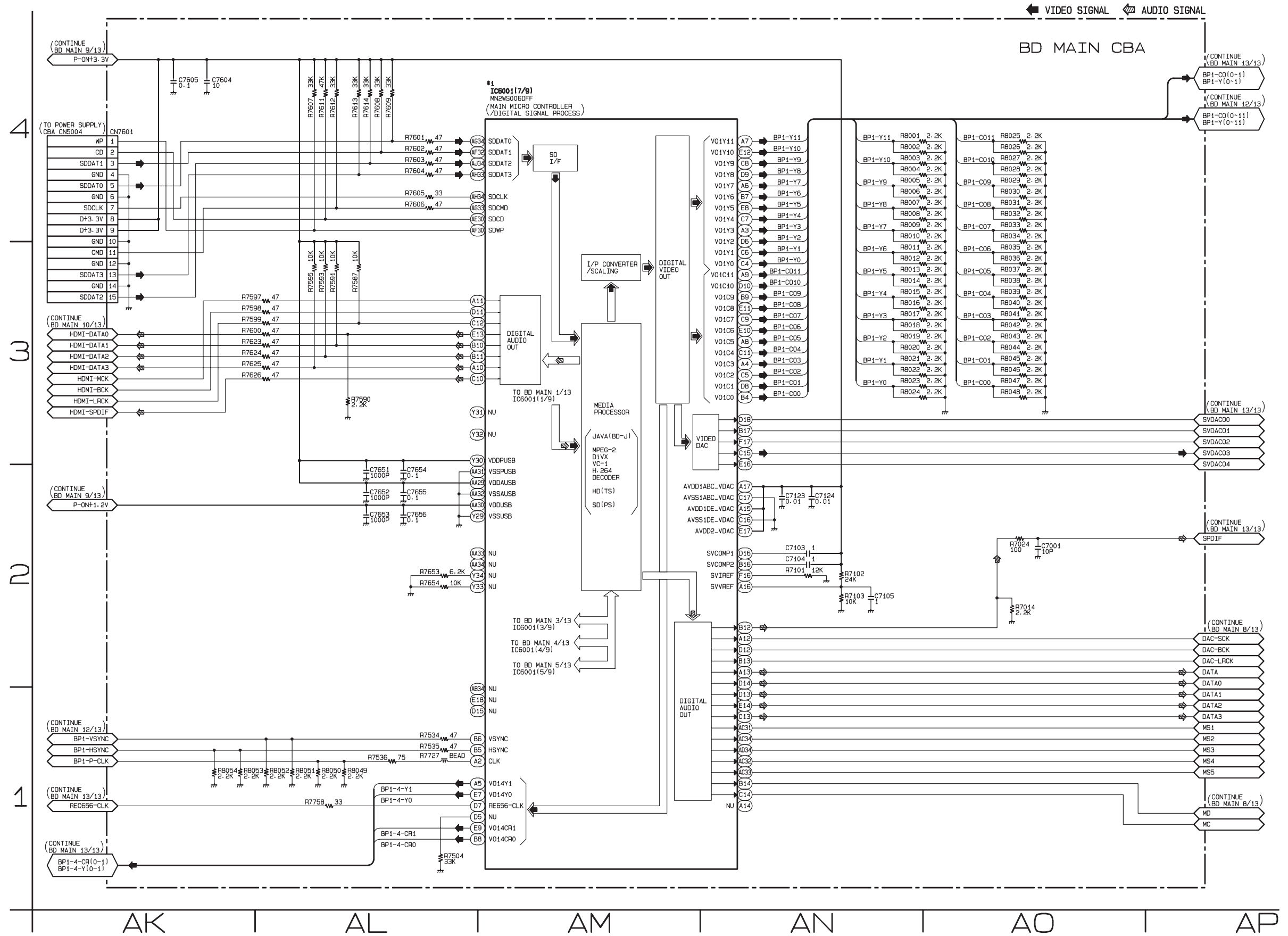
**\*1 NOTE:**  
 The order of pins shown in this diagram is different from that of actual IC6001.  
 IC6001 is divided into nine and shown as IC6001 (1/9) ~ IC6001 (9/9) in this BD Main Schematic Diagram Section.



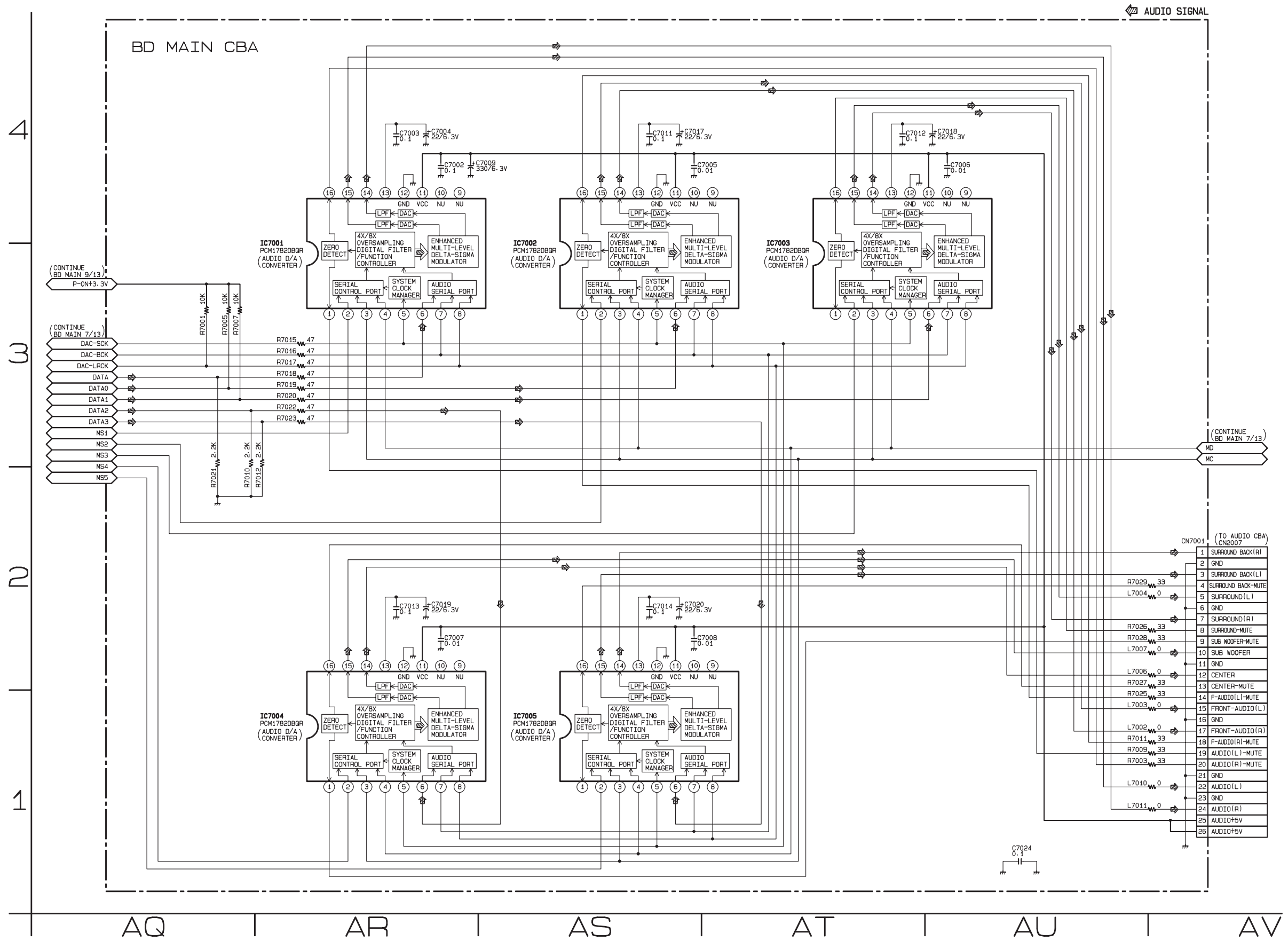


# BD Main 7/13 Schematic Diagram

**\*1 NOTE:**  
 The order of pins shown in this diagram is different from that of actual IC6001.  
 IC6001 is divided into nine and shown as IC6001 (1/9) ~ IC6001 (9/9) in this BD Main Schematic Diagram Section.

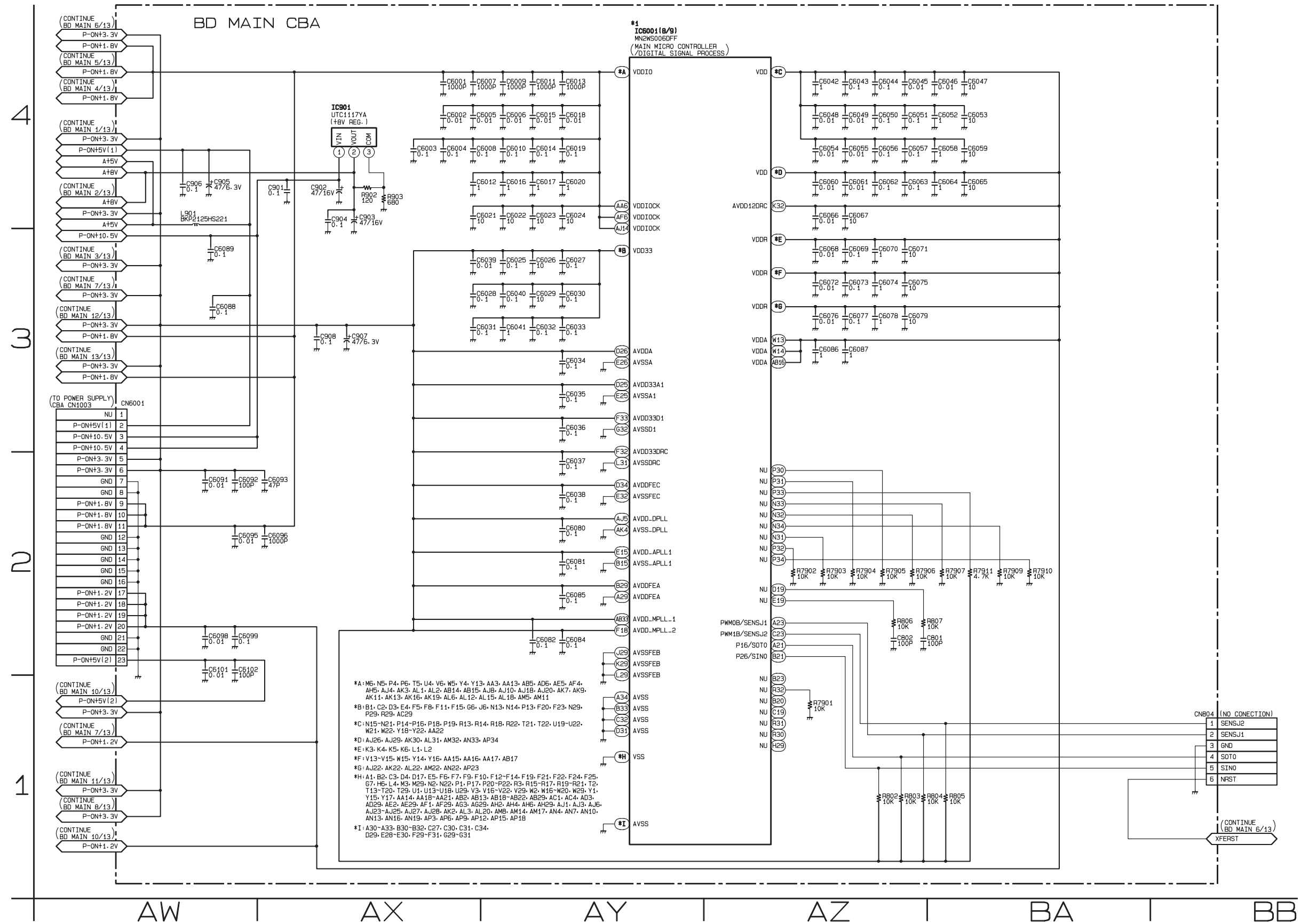


# BD Main 8/13 Schematic Diagram



# BD Main 9/13 Schematic Diagram

**\*1 NOTE:**  
 The order of pins shown in this diagram is different from that of actual IC6001.  
 IC6001 is divided into nine and shown as IC6001 (1/9) ~ IC6001 (9/9) in this BD Main Schematic Diagram Section.

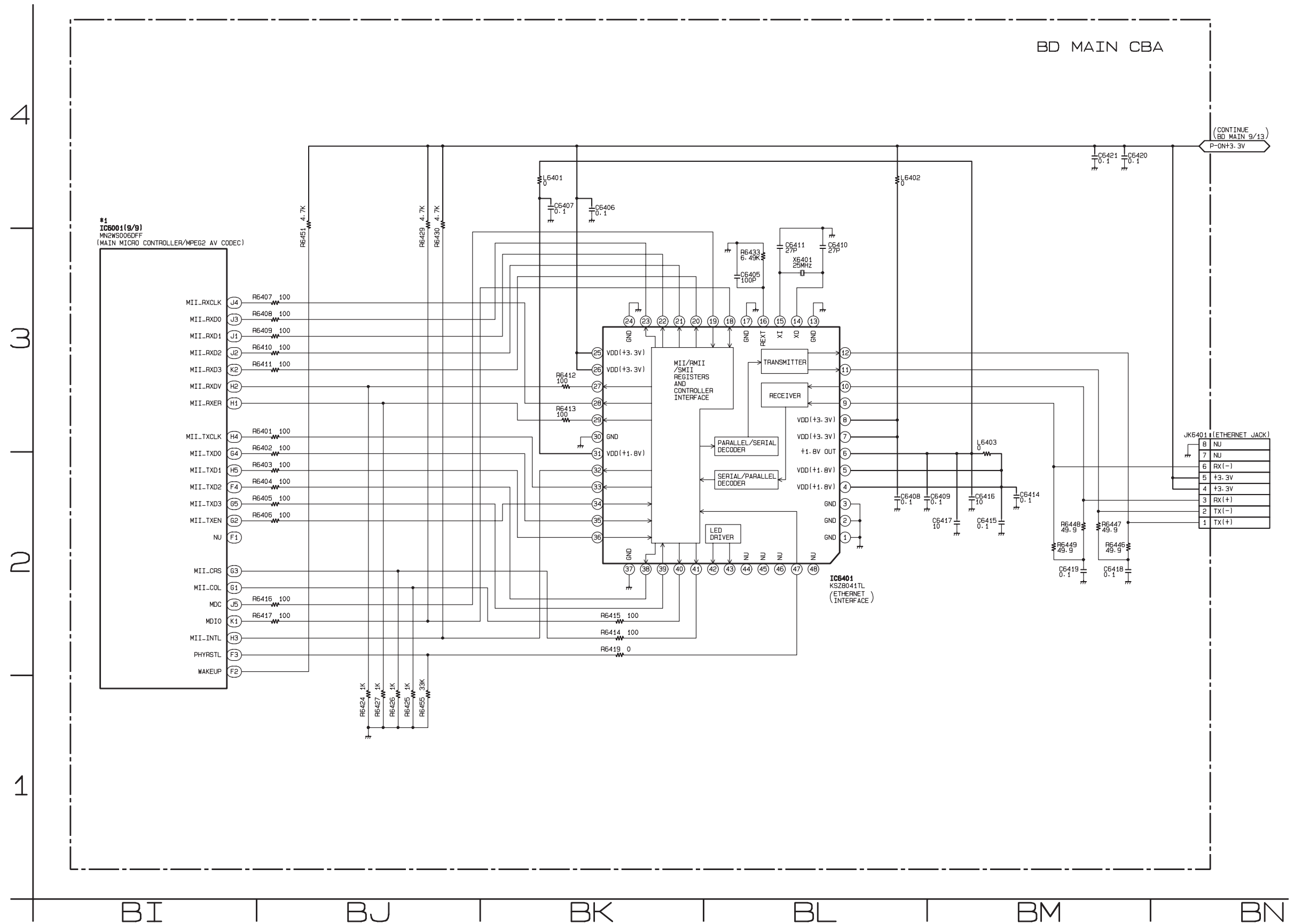




# BD Main 11/13 Schematic Diagram

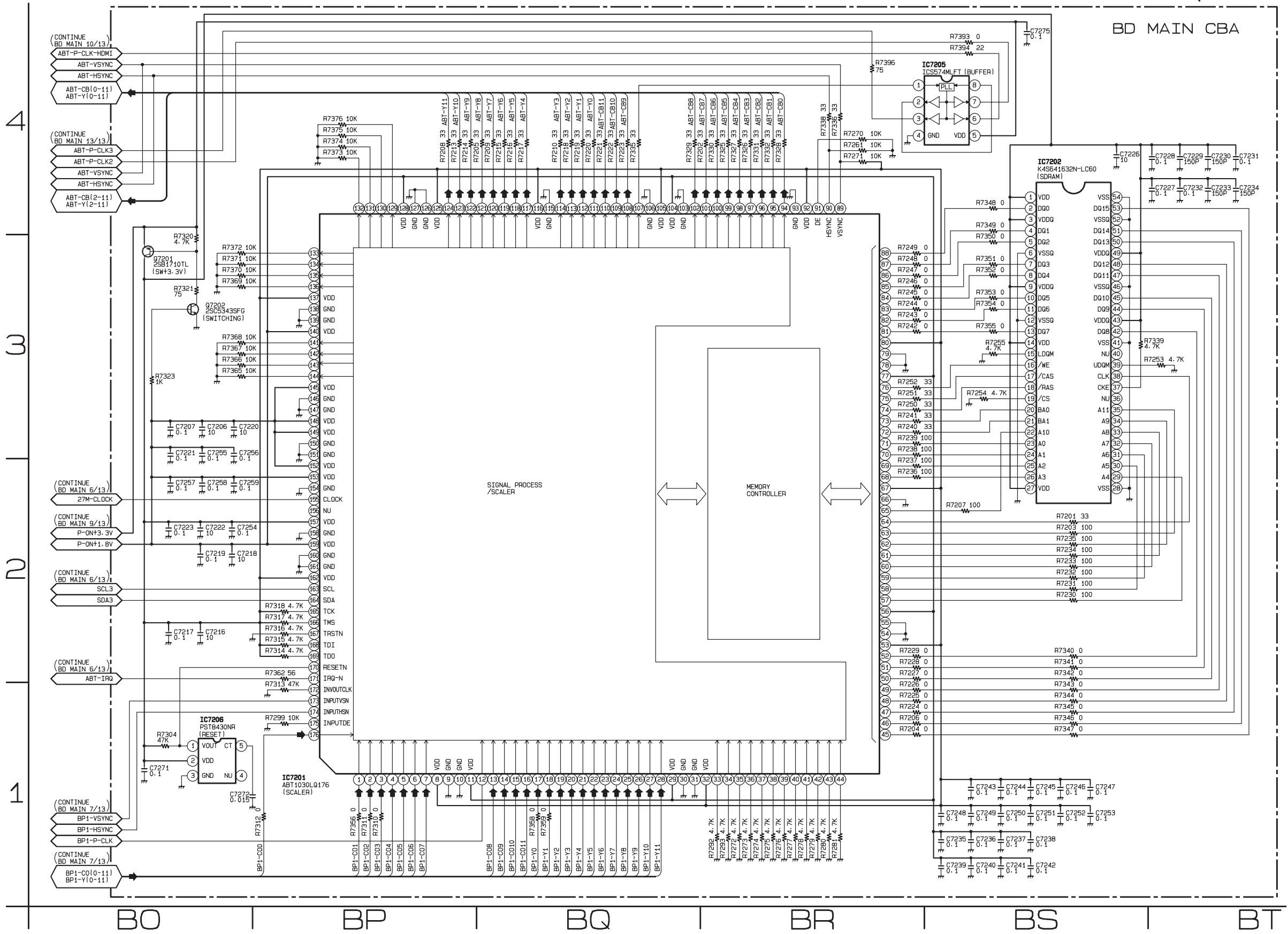
**\*1 NOTE:**

The order of pins shown in this diagram is different from that of actual IC6001.  
 IC6001 is divided into nine and shown as IC6001 (1/9) ~ IC6001 (9/9) in this BD Main Schematic Diagram Section.

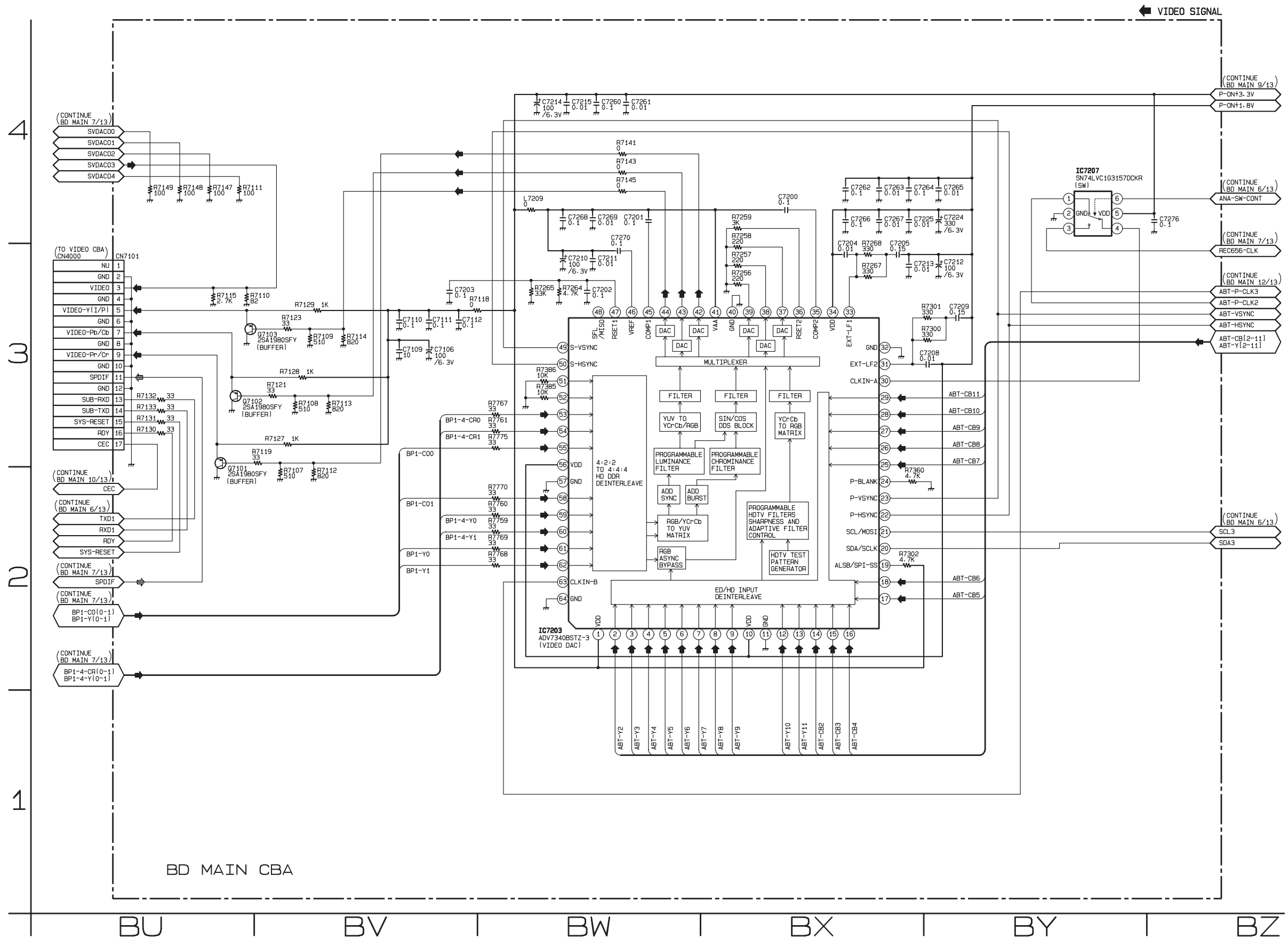


# BD Main 12/13 Schematic Diagram

VIDEO SIGNAL



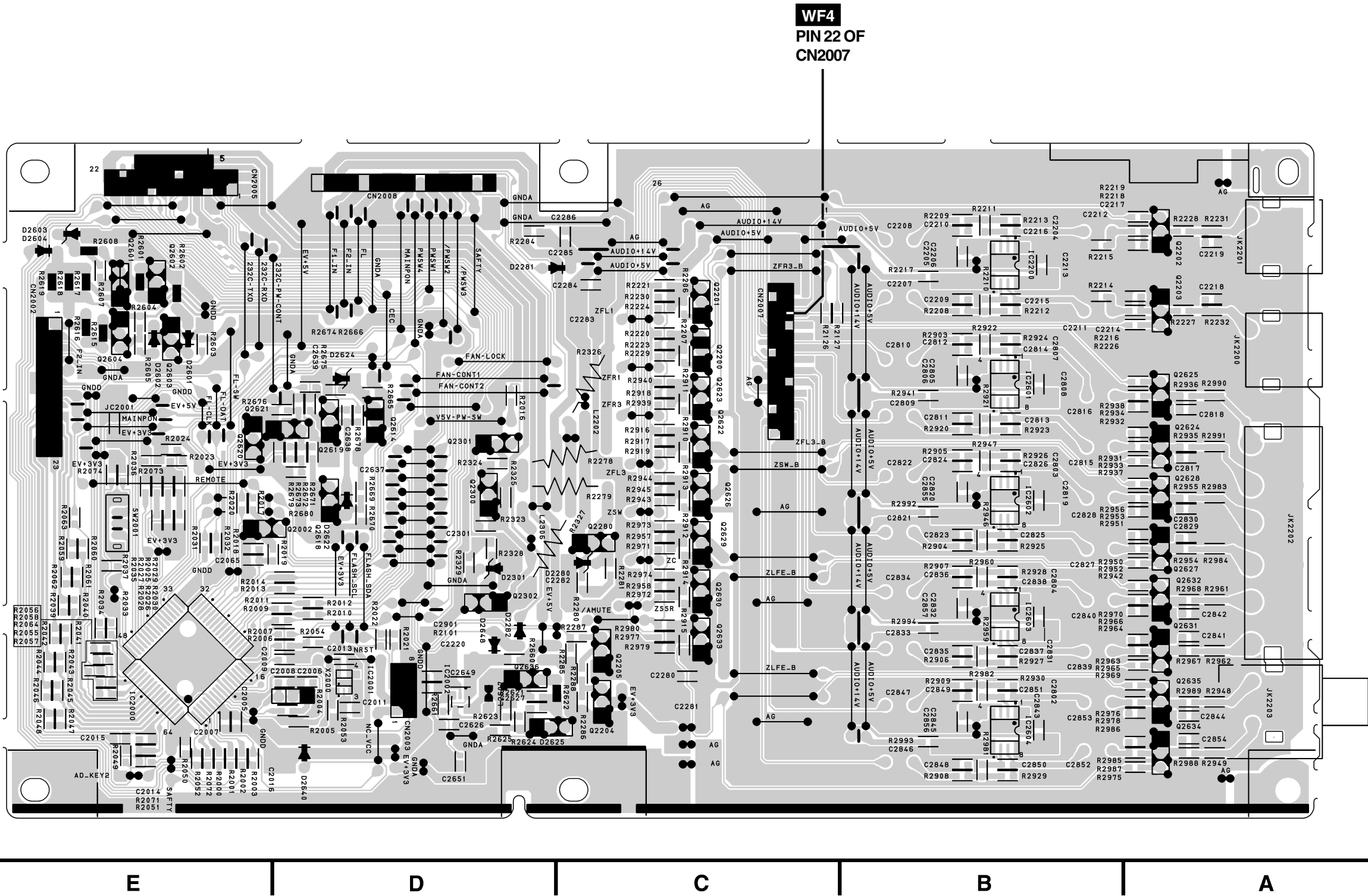
# BD Main 13/13 Schematic Diagram







Audio CBA Bottom View



**WF4**  
PIN 22 OF  
CN2007

E

D

C

B

A

3

2

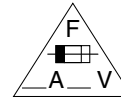
1



# Power Supply CBA Top View

**CAUTION !**

Fixed voltage (or Auto voltage selectable) power supply circuit is used in this unit. If Main Fuse (F1001) is blown, check to see that all components in the power supply circuit are not defective before you connect the AC plug to the AC power supply. Otherwise it may cause some components in the power supply circuit to fail.



**CAUTION !**

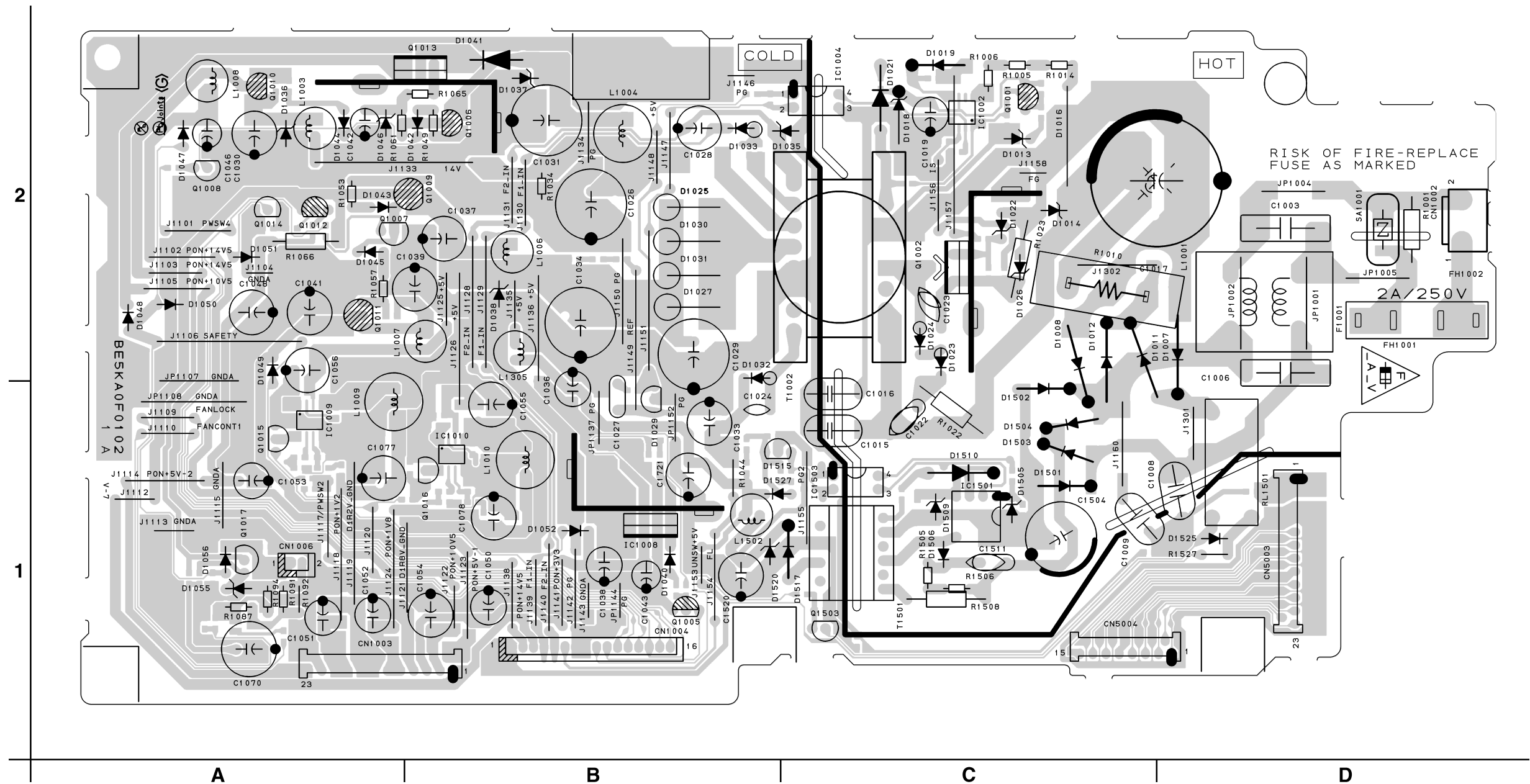
For continued protection against fire hazard, replace only with the same type fuse.  
ATTENTION : Pour une protection continue les risques d'Incele n'utiliser que des fusible de même type.  
**Risk of fire-replace fuse as marked.**

■ "This symbol means fast operating fuse."  
"Ce symbole représente un fusible à fusion rapide."

**Because a hot chassis ground is present in the power supply circuit, an isolation transformer must be used. Also, in order to have the ability to increase the input slowly, when troubleshooting this type power supply circuit, a variable isolation transformer is required.**

**NOTE:**

The voltage for parts in hot circuit is measured using hot GND as a common terminal.

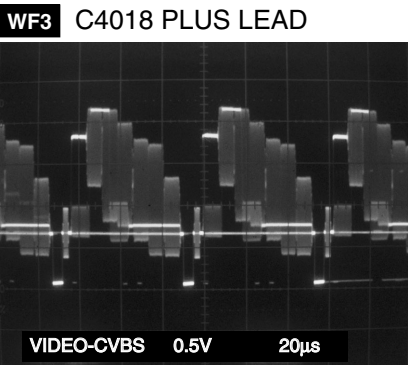
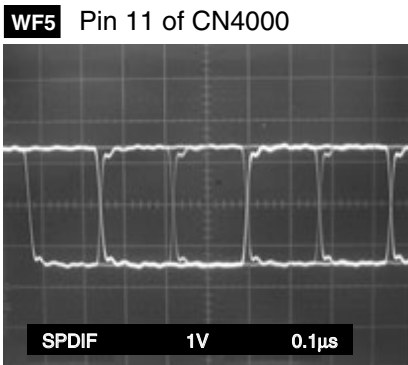
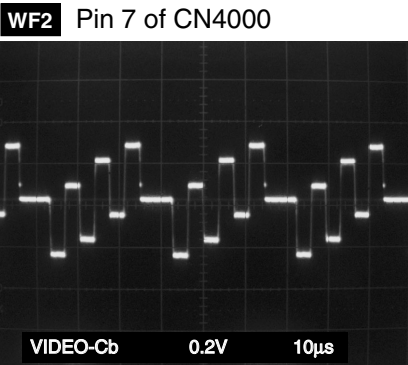
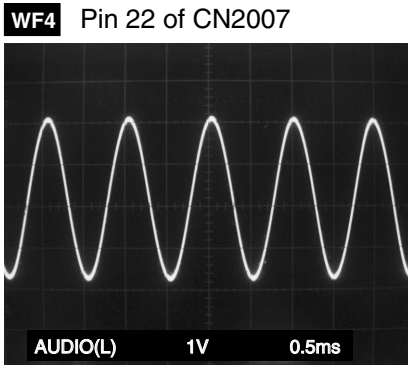
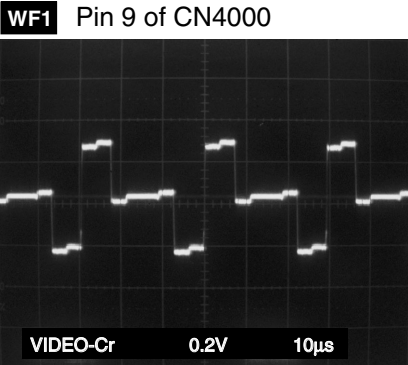






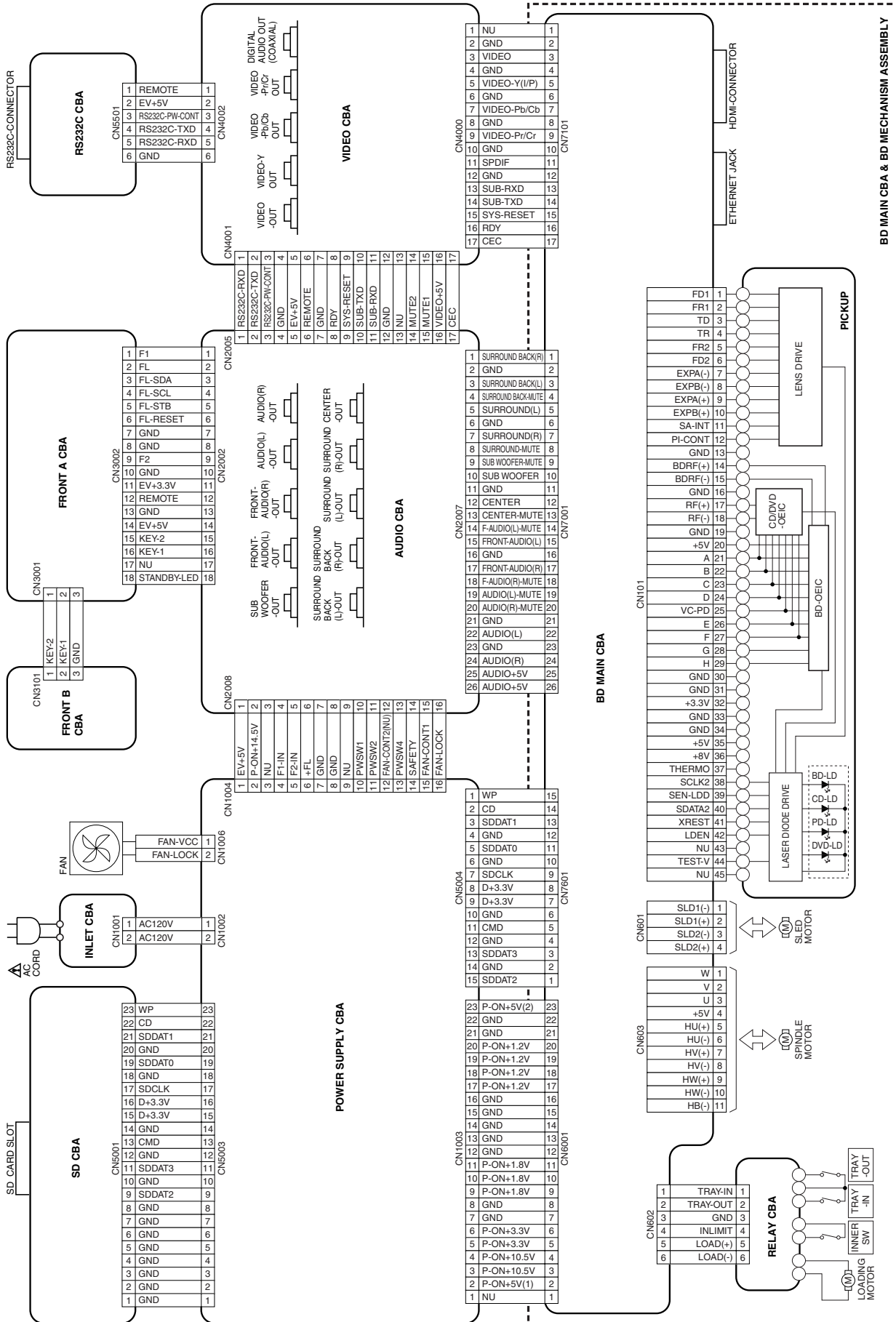


# 16. WAVEFORMS



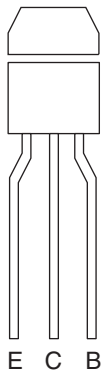
**NOTE:**  
Input Signal (DVD)  
VIDEO: 75% COLOR BAR  
AUDIO: 1KHz, 0dB

# 17. WIRING DIAGRAM

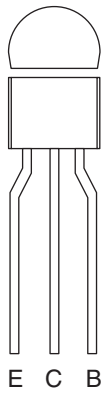




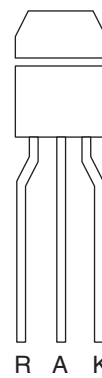
# 18. LEAD IDENTIFICATIONS



2SA1980M Y  
 2SA1980MG-AT  
 2SC5343MG-AT  
 KRA104M-AT/P  
 KRC102M-AT/P  
 KRC103M-AT/P  
 KRC106M-AT/P  
 KTC3199-GR-AT/P  
 KTA1267(GR, Y)-AT/P  
 RN1203(TE4 F T)  
 RN1206  
 SRA2204M-AT  
 SRC1202M-AT  
 SRC1206M-AT  
 SRC1203MAT



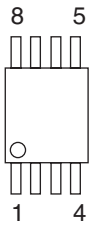
2SA1015-(GR, Y)(TE2 F T)  
 2SA1981Y-AT  
 2SA950-Y(TE2 F T)  
 2SA966-Y(TE6 F M)  
 2SC1815-GR(TE2 F T)  
 2SC2120-Y(TE2 F T)  
 2SC5344 Y  
 KTA1271-Y-AT/P  
 KTC3203-Y-AT/P  
 STB1277LY-AT



KTA1273-Y-AT/P

KHB4D5N60F-U/PMC

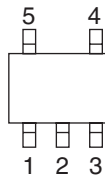
BD9323EFJ-E2  
 FA5573N-D1-TE1



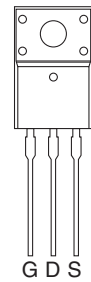
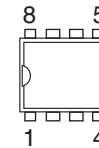
EL817(B, C)  
 LTV-817(B, C)-F  
 PS2561A-1(W)

1: Anode  
 2: Cathode  
 3: Emitter  
 4: Collector

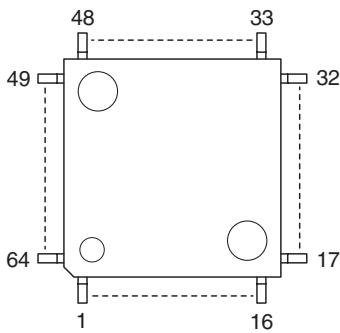
PST8430NR  
 S-80930CNMC-G80T2(G, J)



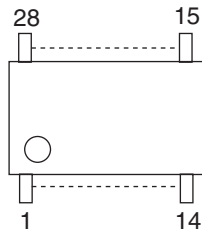
NJM4580E-TE1



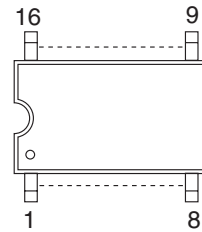
MN101C77A GC



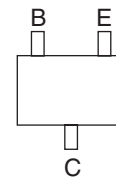
MM1757EHBE



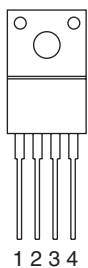
ADM232AARN  
 SP232ACN-L/TR



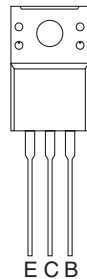
2SC3928A-T112-1Z  
 2SC5343SFG  
 2SC5343SG  
 KTC3875S-GR-RTK/P



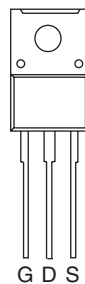
PQ070XF01SZH  
 PQ070XFC1SZF



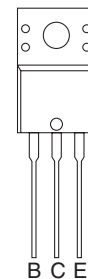
KTC2026-Y/P



2SK3563(Q)  
 2SK3563(Q M)



STC403



**Note:**

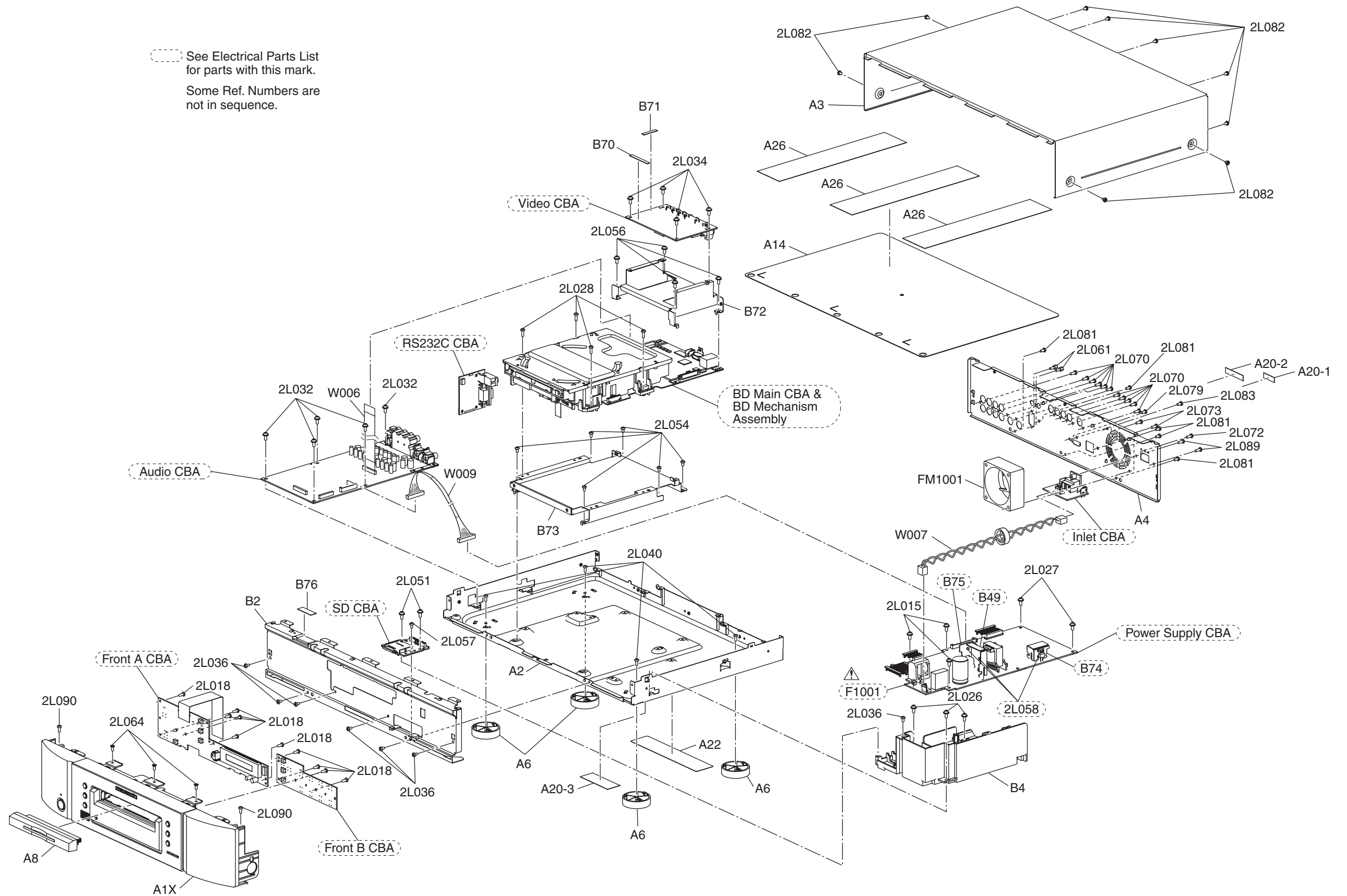
- A: Anode
- K: Cathode
- E: Emitter
- C: Collector
- B: Base
- R: Reference
- G: Gate
- D: Drain
- S: Source



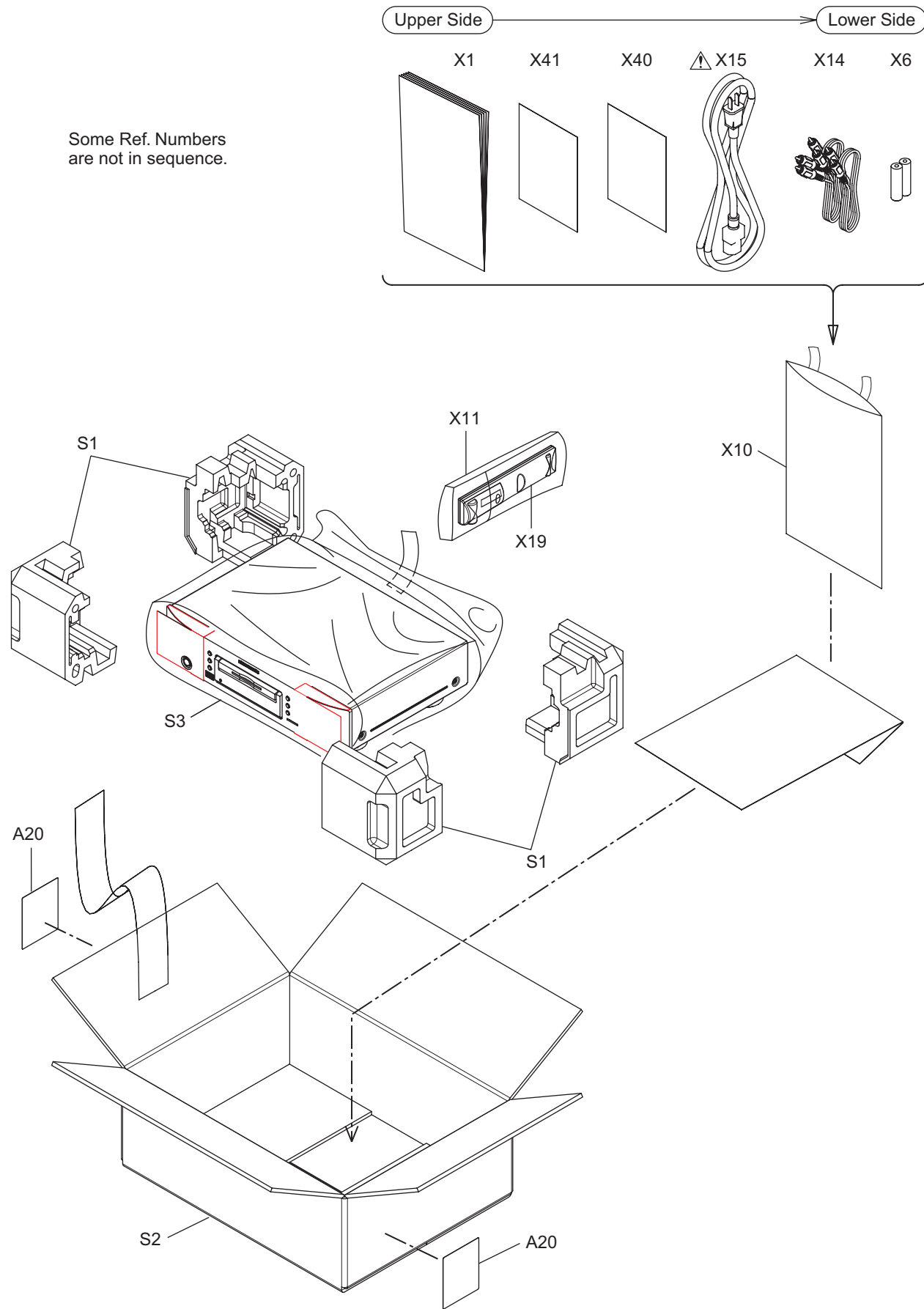
# 19. EXPLODED VIEW AND PARTS LIST

## Cabinet

See Electrical Parts List for parts with this mark.  
Some Ref. Numbers are not in sequence.



# Packing



P.W.B. NAME	POS. NO.	PART NO. (MZ)	PART NAME	DESCRIPTION	
	A1X	9H2402002110M	PANEL	FRONT ASSEMBLY E5KB0UD	1VM123079
	A2	nsp	CHASSIS	CHASSIS E5KA0UD	1VM021192
	A4	nsp	PANEL	REAR PANEL E5KB0UD	1VM227396
	A6	9H2407002120M	LEG	FOOT ASSEMBLY E5KB0UD	1VM431645
	A8	9H2418002130M	ESCUTCHEON	TRAY PANEL ASSEMBLY E5KB0UD	1VM227256
	FM1001	9H2685001110S	MOTOR	MOTOR DC FAN 2D65BL100190	MMEZR12XNR08
	W006	9H2606002000S	CORD	WIRE ASSEMBLY FFC 26/169/1.0	WX1E5KA0-006
BD	1B1	9H2189002140M	PWB ASSY	BD MAIN CBA & BD MECHANISM ASSEMBLY	N77B0BUN
AV		9H2189002150M	PWB ASSY	AV ASSEMBLY	1VSA21908
POWER		9H2189002160M	PWB ASSY	POWER ASSEMBLY	1VSA21907
PACKING					
	X1!	9H2541002170M	USER GUIDE	OWNERS MANUAL E5KB0UD	1VMN27573
POWER	X15	00D9H26000887	MAINS CORD	AC CORD WITH A GND WIRE UL/CSA/ 162/ NO/BLACK	WAV0162LW001
	X15	9H2611002050S	CORD	CORD W/O A GND WIRE UL/CSA(VW-1)/152/NO/	WAV0152LTE01
	X19	9H2307002180M	UNIT KIT	REMOTE CONTROL UNIT RC004BD	NB423UD
<b>NOT STANDARD SPARE PART</b>					
	A3	9H2403001970D	LID	TOP COVER E5KA0UD	1VM021193
	S1	9H2533002190M	CUSHION	SIDE PAD E5KB0UD	1VM123119
	S2	9H2531002200M	PACKING CASE	GIFT BOX CARTON E5KB0UD	1VM330460
	X14	9H2605002100S	CORD	AV CORD 1000/BLACK	WPZ0102TM018
	X14	00D9H26000762	CORD	AV CORD RCA(M*2)TO RCA(M*2)	WPZ0102LTE01
<b>ELECTRICAL PART</b>					
AUDIO	JK2200	9H2646000490S	TERMINAL	RCA JACK MSP-251V-10 GILT LF	JXRL010LY143
AUDIO	JK2202	9H2646002210M	TERMINAL	RCA JACK 6PIN MSD-246V-21 GILT LF	JXRL060LY169
AUDIO	JK2203	9H2646002220M	TERMINAL	RCA JACK 2PIN MSD-242V-12 GILT LF	JXRL020LY168
RS232C	JK5550	9H2643001890S	TERMINAL	JACK HPEP SML PCB L MSJ-035-50B AG (PPO)	JYSL020LY009
RS232C	JK5550	00D2048729008	TERMINAL	PHONE JACK HSJ1003-016020	JYSL020HD007